

**50 Hz**



# SCUBA Series

CLOSE-COUPLED SUBMERSIBLE ELECTRIC PUMPS

Cod. 191005661 Rev. A Ed.06/2017

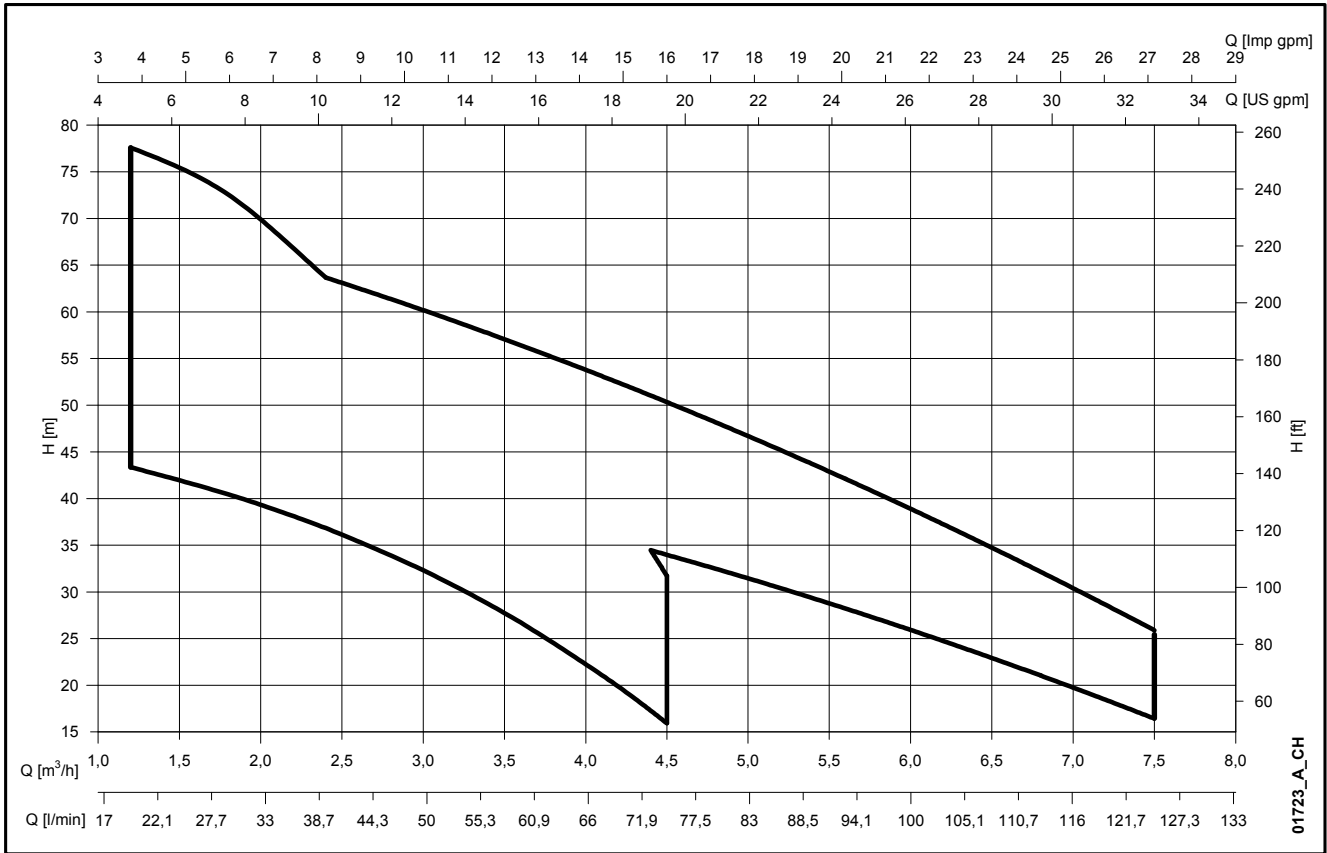
 **LOWARA**  
a xylem brand



**CONTENTS**

Specifications.....	<b>5</b>
Identification code and rating plate.....	<b>8</b>
Hydraulic performance range.....	<b>9</b>
Dimensions and weights.....	<b>10</b>
Motor - control panel combination table.....	<b>12</b>
Technical appendix.....	<b>13</b>

### SCUBA SERIES HYDRAULIC PERFORMANCE RANGE AT 50 Hz



## Close-coupled submersible electric pumps SCUBA Series

### MARKET SECTORS

RESIDENTIAL, AGRICULTURE, INDUSTRY.

### APPLICATIONS

- Water supply from primary water supply tanks or reservoirs, 6" wells, basins and watercourses.
- Sprinkler irrigation systems.
- Pressure boosting with pump directly inserted in tank or well, to avoid suction problems and noise.
- Rain water harvesting
- Car washing system



### SPECIFICATIONS

#### PUMP

- **Delivery:**  
up to 7,5 m<sup>3</sup>/h at 2850 rpm.
- **Head:**  
up to 80 m at 2850 rpm.
- **Maximum overall diameter of electric pump:** 128 mm.
- **Maximum immersion depth:** 20 m.
- **Maximum permissible quantity of suspended sand:** 25 g/m<sup>3</sup>.
- **Passes solids:** up to 2,5 mm.
- **Delivery port:** Rp 1 1/4.
- **Motor power :** 0,55 to 1,1 kW.

#### MOTOR

- **Single-phase version:**  
220-240 V, 50 Hz 2 poles (2850 rpm).
- With built-in automatic reset overload ad protection.
- With built-in capacitor.
- **Three-phase version:**  
380-415 V, 50 Hz 2 poles (2850 rpm); overload protection to be provided by user and installed in the control panel (see electric panel section).
- Maximum supply voltage variations: ±5%.
- **Classe F** insulation.
- Can also operate in **horizontal position**.
- Maximum number of **starts per hour**, evenly distributed:  
25 for motors up to 0,9 kW.  
20 for motors 1,1 kW.
- Maximum **temperature** of water in contact with the motor: **40°C** (continuous use).

### CONSTRUCTION CHARACTERISTICS

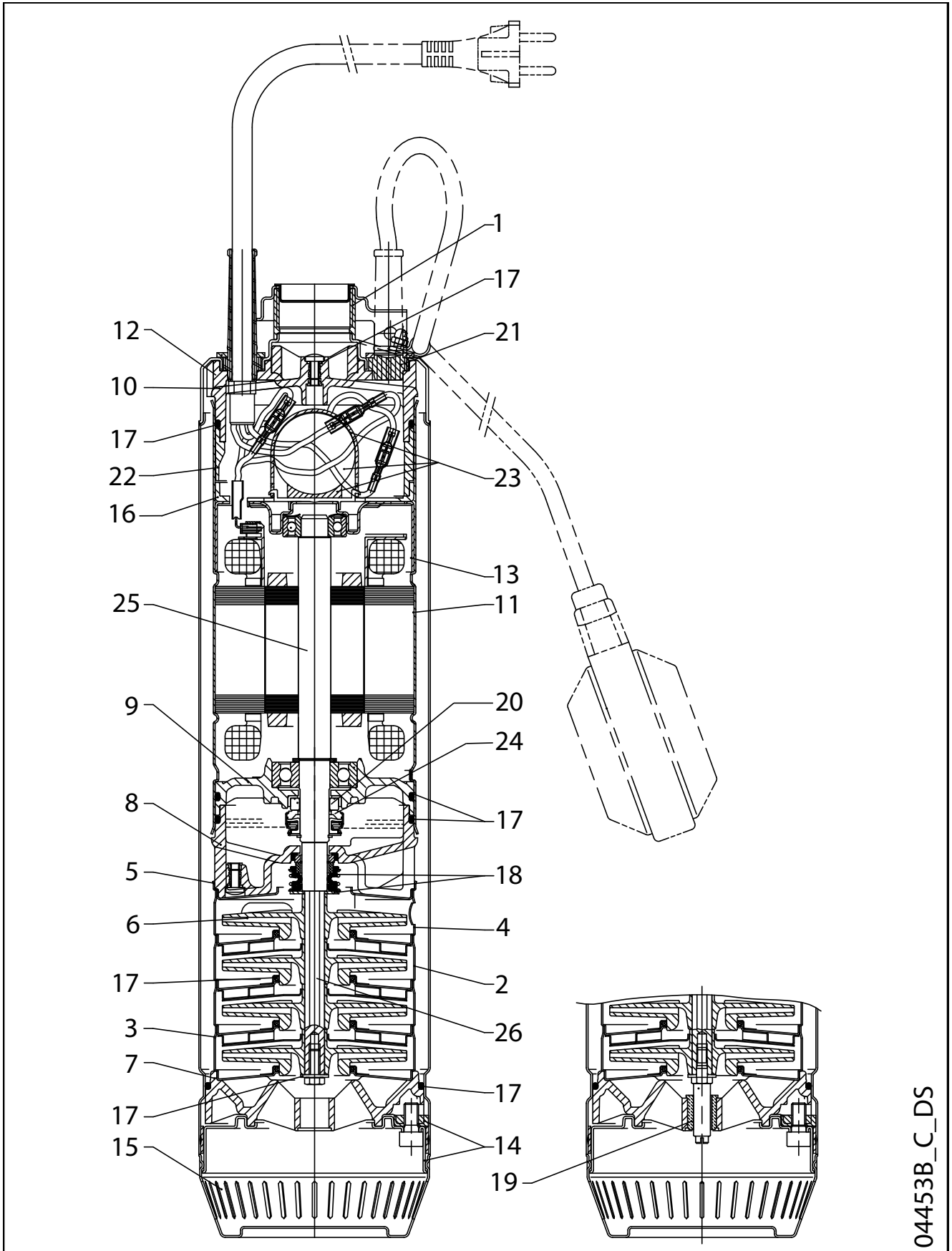
- Close-coupled, multiple impeller submersible electric pump. The liquid end is located underneath the electric motor, which is cooled by the pumped liquid.
- Impellers are radial centrifugal type, made of technopolymer.
- AISI 304 stainless steel diffusers.
- Outer sleeve, motor casing, suction screen and shaft extension are made of AISI 304 stainless steel.
- **Dry motor.**  
The electric motor is protected by a double seal system with an oil chamber. The silicon carbide mechanical seal, highly resistant to abrasion and wear, together with the second mechanical seal, lubricated thanks to the special configuration of the oil chambers, guarantee long-lasting reliability.

### OPTIONAL FEATURES

- Pre assembled float switch
- Kit with inverter ResiBoost
- External capacitor

- **Self cooling motor**
- **Double seal**
- **Built-in capacitor and motor protection**
- **Easy to install**
- **Silent operation**

**SCUBA SERIES  
PUMP SECTION AND LIST OF MAIN COMPONENTS**



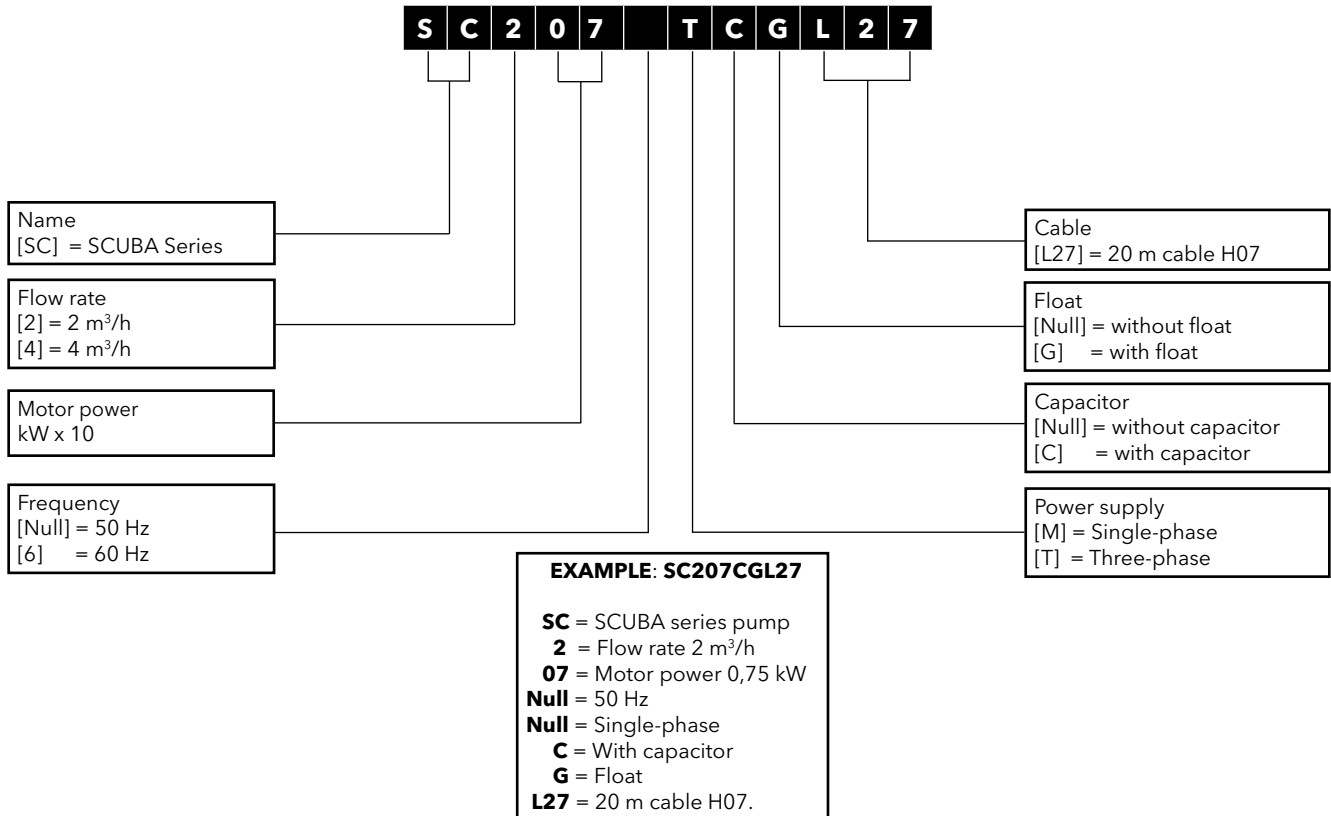
04453B\_C\_DS

## SCUBA SERIES TABLE OF MATERIALS

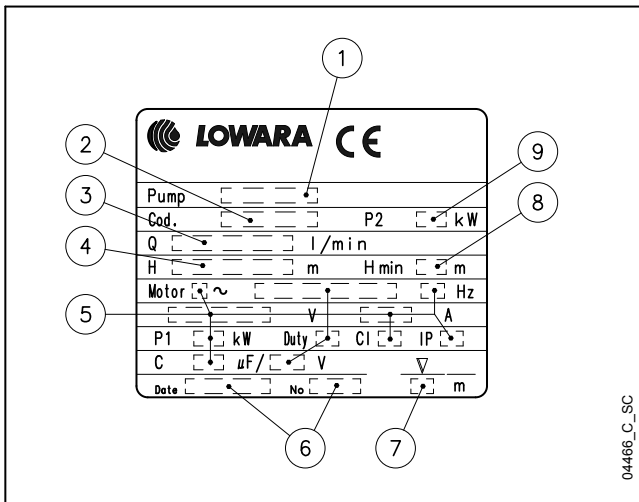
N°	NAME	MATERIAL	REFERENCE STANDARD	
			EUROPE	USA
1	Sleeve with head	Stainless steel	EN 10088-1-X5CrNi18-10 (1.4301)	AISI 304
2	Diffuser	Stainless steel	EN 10088-1-X5CrNi18-10 (1.4301)	AISI 304
3	Initial bowl	Stainless steel	EN 10088-1-X5CrNi18-10 (1.4301)	AISI 304
4	Final diffuser	Stainless steel	EN 10088-1-X5CrNi18-10 (1.4301)	AISI 304
5	Final bowl	Stainless steel	EN 10088-1-X5CrNi18-10 (1.4301)	AISI 304
6	Impeller	Tecnopolymer PPO		
7	Bearing spider	Tecnopolymer PPS		
8	Lower head	Tecnopolymer PPS		
9	Lower bearing support	Die-cast aluminium		
10	Motor head	Polymer PPS		
11	Sleve with wound stator	Stainless steel	EN 10088-1-X5CrNi18-10 (1.4301)	AISI 304
12	Upper head	Tecnopolymer PPS		
13	Bearing support upper	Stainless steel	EN 10088-1-X5CrNi18-10 (1.4301)	AISI 304
14	Complete falnge			
15	Filter	Stainless steel	EN 10088-1-X5CrNi18-10 (1.4301)	AISI 304
16	Connection container			
17	Elastomers	Nitrile rubber (NBR)		
18	External mechanical seal	Silicon carbide		
19	Bush bearing	Tecnopolymer PU		
20	Internal mechanical seal (fixed part)	Steatite		
21	Cable entry complete parts			
22	Capacitor housing spacer	PA66-GF35		
23	Capacitor			
24	Internal mechanical seal (rotary part)	Carbo-graphite		
25	Motor shaft	Acciaio inox	EN 10088-3-X17CrNi16-2 (1.4057)	AISI 431
26	Pump shaft	Acciaio inox	EN 10088-1-X5CrNi18-10 (1.4301)	AISI 304

scuba-sc2-sc4-2p50-en\_c\_tm

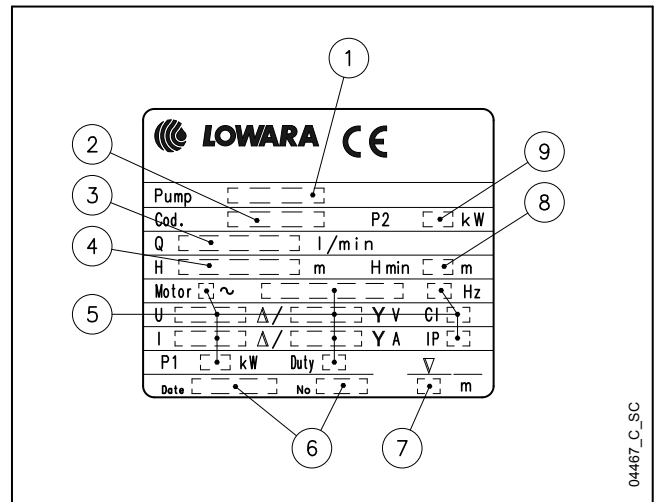
## SCUBA SERIES IDENTIFICATION CODES



### SINGLE-PHASE RATING PLATE



### THREE-PHASE RATING PLATE

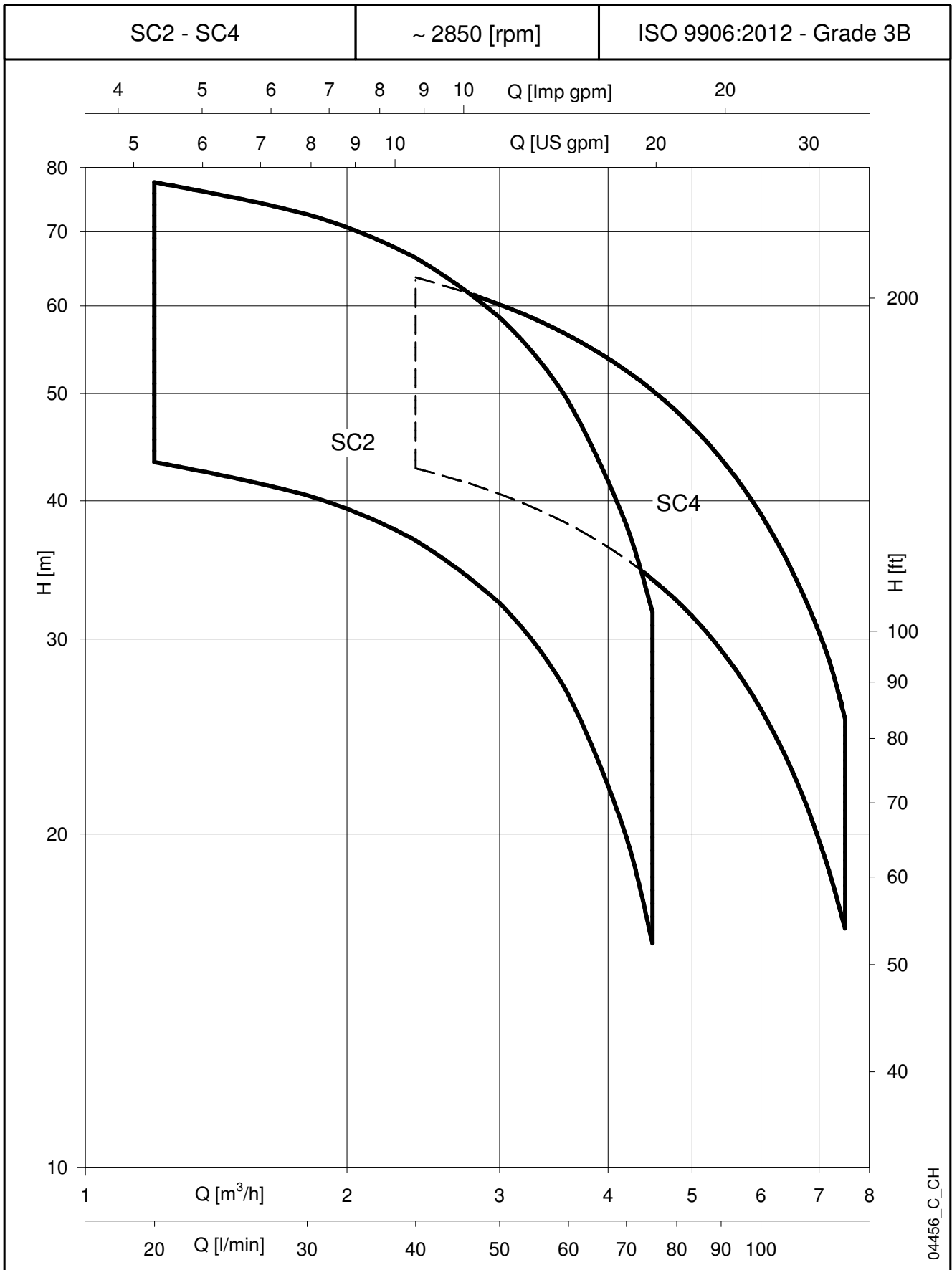


### LEGEND

- 1 - Electric pump type
- 2 - Code
- 3 - Delivery range
- 4 - Head range
- 5 - Characteristics motor
- 6 - Manufacturing data and serial number
- 7 - Maximum immersion depth
- 8 - Minimum head
- 9 - Rated output



**SCUBA SERIES**  
**HYDRAULIC PERFORMANCE RANGE AT 50 Hz**



## SCUBA SERIES DIMENSIONS AND WEIGHTS AT 50 Hz

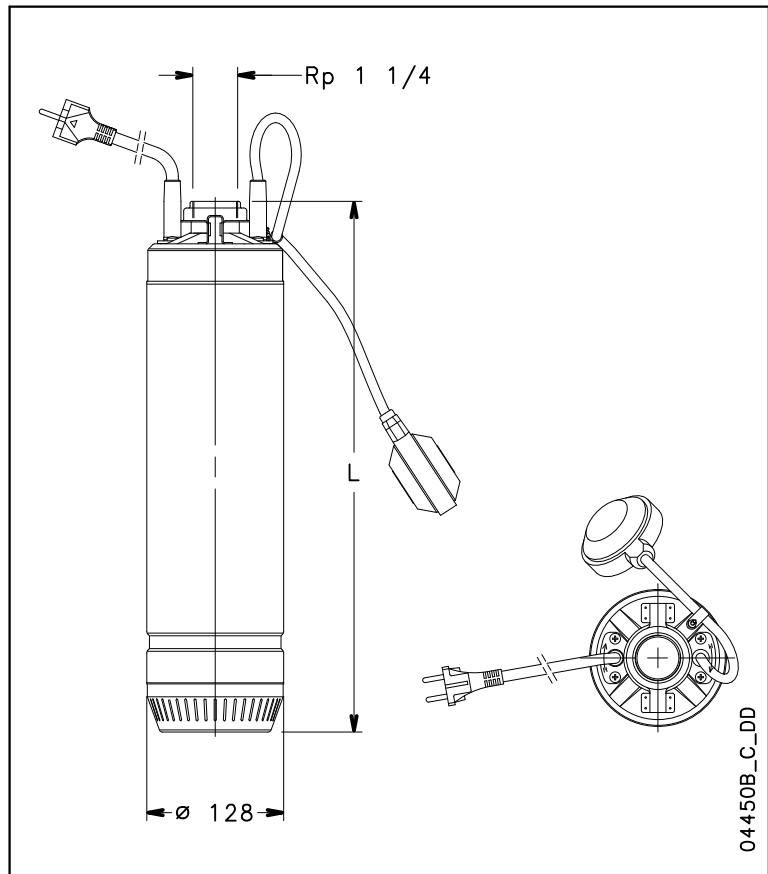
PUMP TYPE		N° OF STAGES	DIMENSIONS L mm	WEIGHT kg
SINGLE-PHASE	THREE-PHASE			
SC205C	SC205T	4	526	13,5
SC207C	SC207T	5	566	15
SC209C	SC209T	6	591	16
SC211C	SC211T	7	636	18
SC407C	SC407T	4	541	14,5
SC409C	SC409T	5	566	15,5
SC411C	SC411T	6	611	17,5

scuba-sc2-sc4-2p50-en\_c\_td

PUMP TYPE	SECTION	CABLE TYPE	CABLE LENGHT
SC205C	3G1	H07RN-F	20 m
SC207C	3G1	H07RN-F	
SC209C	3G1,5	H07RN-F	
SC211C	3G1,5	H07RN-F	
SC407C	3G1	H07RN-F	
SC409C	3G1,5	H07RN-F	
SC411C	3G1,5	H07RN-F	
SC205T	4G1	H07RN-F	
SC207T	4G1	H07RN-F	
SC209T	4G1	H07RN-F	
SC211T	4G1	H07RN-F	
SC407T	4G1	H07RN-F	
SC409T	4G1	H07RN-F	
SC411T	4G1	H07RN-F	

scuba-sc2-sc4-2p50-en\_c\_tc

Single-phase range available with pre-assembled float (SCUBA G)  
Versions with 10 meter cable available on request



## HYDRAULIC PERFORMANCE TABLE AT 50 Hz

PUMP TYPE	RATED POWER		Q = DELIVERY									
			l/min	0	20	30	40	50	60	75	80	100
	kw	HP	m <sup>3</sup> /h	0	1,2	1,8	2,4	3	3,6	4,5	4,8	6
H = TOTAL HEAD METRES COLUMN OF WATER												
SC205C - SC205T	0,55	0,75	47,7	43,4	40,5	36,8	32,3	26,7	15,9			
SC207C - SC207T	0,75	1	61,2	56,7	52,7	47,6	41,5	34,3	21,7			
SC209C - SC209T	0,9	1,2	72,4	66,3	61,8	56,3	49,6	41,8	27,4			
SC211C - SC211T	1,1	1,5	84,5	77,6	72,6	66,3	58,6	49,2	31,7			
SC407C - SC407T	0,75	1	49,4			42,8	40,6	38,1	34,0	32,5	25,9	16,5
SC409C - SC409T	0,9	1,2	62,5			52,3	49,6	46,7	41,8	40,1	32,2	19,9
SC411C - SC411T	1,1	1,5	75,5			63,4	60,0	56,4	50,6	48,5	39,3	25,4

scuba-sc2-sc4-2p50-en\_c\_th

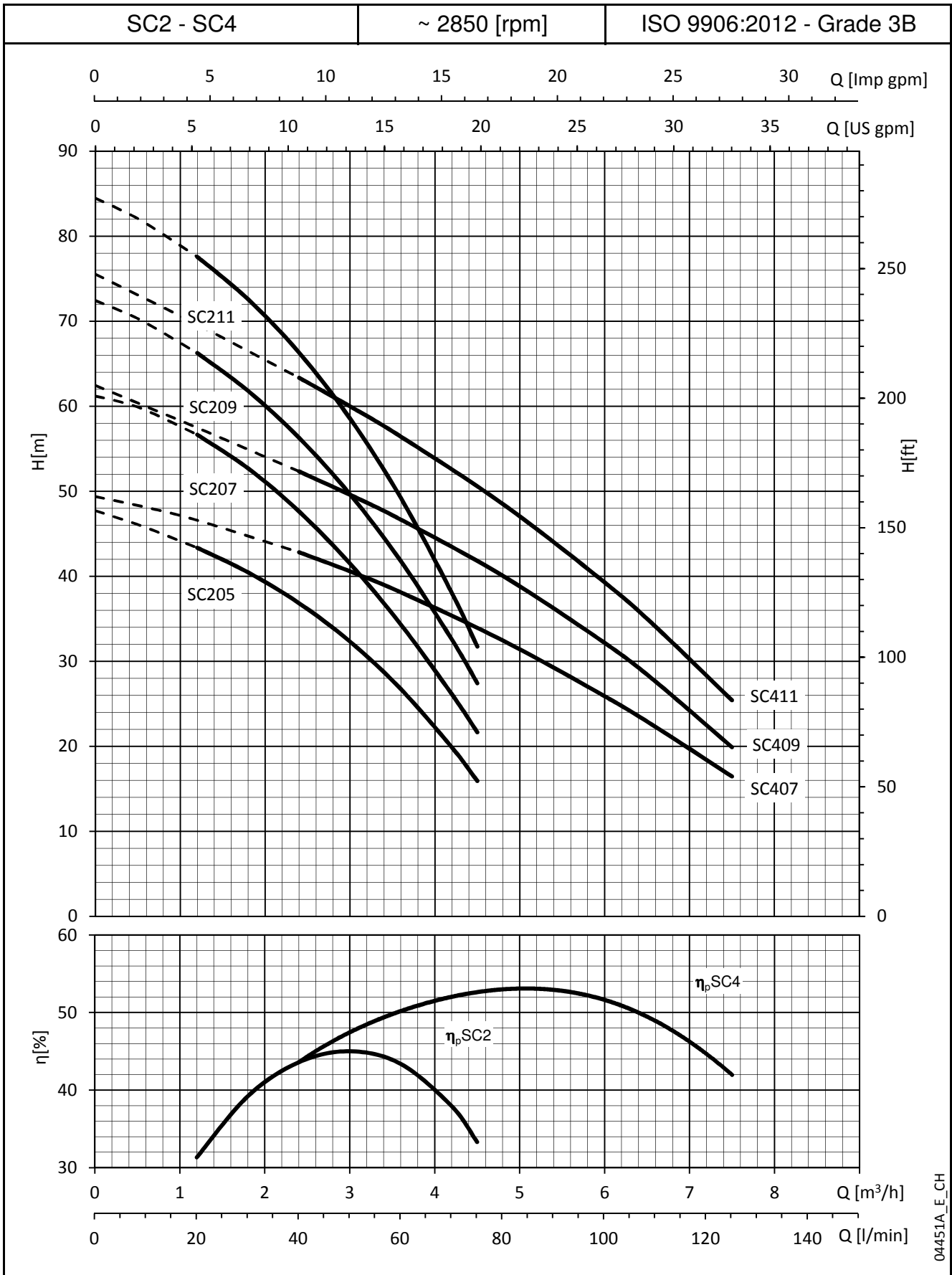
PUMP TYPE	ABSORBED POWER*	ABSORBED POWER*	CAPACITOR
SINGLE-PHASE	kw	220-240 V A	µF / 450 V
SC205C	0,93	4,37	16
SC207C	1,15	5,19	25
SC209C	1,32	5,88	25
SC211C	1,63	7,25	30
SC407C	1,18	5,28	25
SC409C	1,38	6,17	25
SC411C	1,76	7,85	30

\*Maximum values within operating range-

PUMP TYPE	ABSORBED POWER*	ABSORBED POWER*	ABSORBED POWER*
THREE-PHASE	kw	220-240 V A	380-415 V A
SC205T	0,86	2,81	1,62
SC207T	1,09	4,12	2,38
SC209T	1,27	4,40	2,54
SC211T	1,45	4,68	2,70
SC407T	1,12	4,16	2,40
SC409T	1,33	4,50	2,60
SC411T	1,59	4,94	2,85

scuba-sc2-sc4-2p50-en\_c\_te

### SCUBA SERIES OPERATING CHARACTERISTICS AT 50 Hz



04451A\_E\_CH

These performances are valid for liquids with density  $\rho = 1.0 \text{ Kg/dm}^3$  and kinematic viscosity  $\nu = 1 \text{ mm}^2/\text{sec}$ .

## SCUBA SERIES PUMP - PANEL COMBINATION TABLE

PUMP TYPE  THREE-PHASE	RATED POWER		ABSORBED CURRENT* 380-415 V A	CAPACITOR  $\mu$ F / 450 V	PANEL TYPE					
	kW	HP			QTD/...	Q3D/...				
SC205T	0,55	0,75	1,62	-	...11	...05				
SC207T	0,75	1	2,38	-	...11	...11				
SC209T	0,9	1,2	2,54	-	...15	...11				
SC211T	1,1	1,5	2,70	-	...15	...11				
SC407T	0,75	1	2,40	-	...11	...11				
SC409T	0,9	1,2	2,60	-	...15	...11				
SC411T	1,1	1,5	2,85	-	...15	...11				

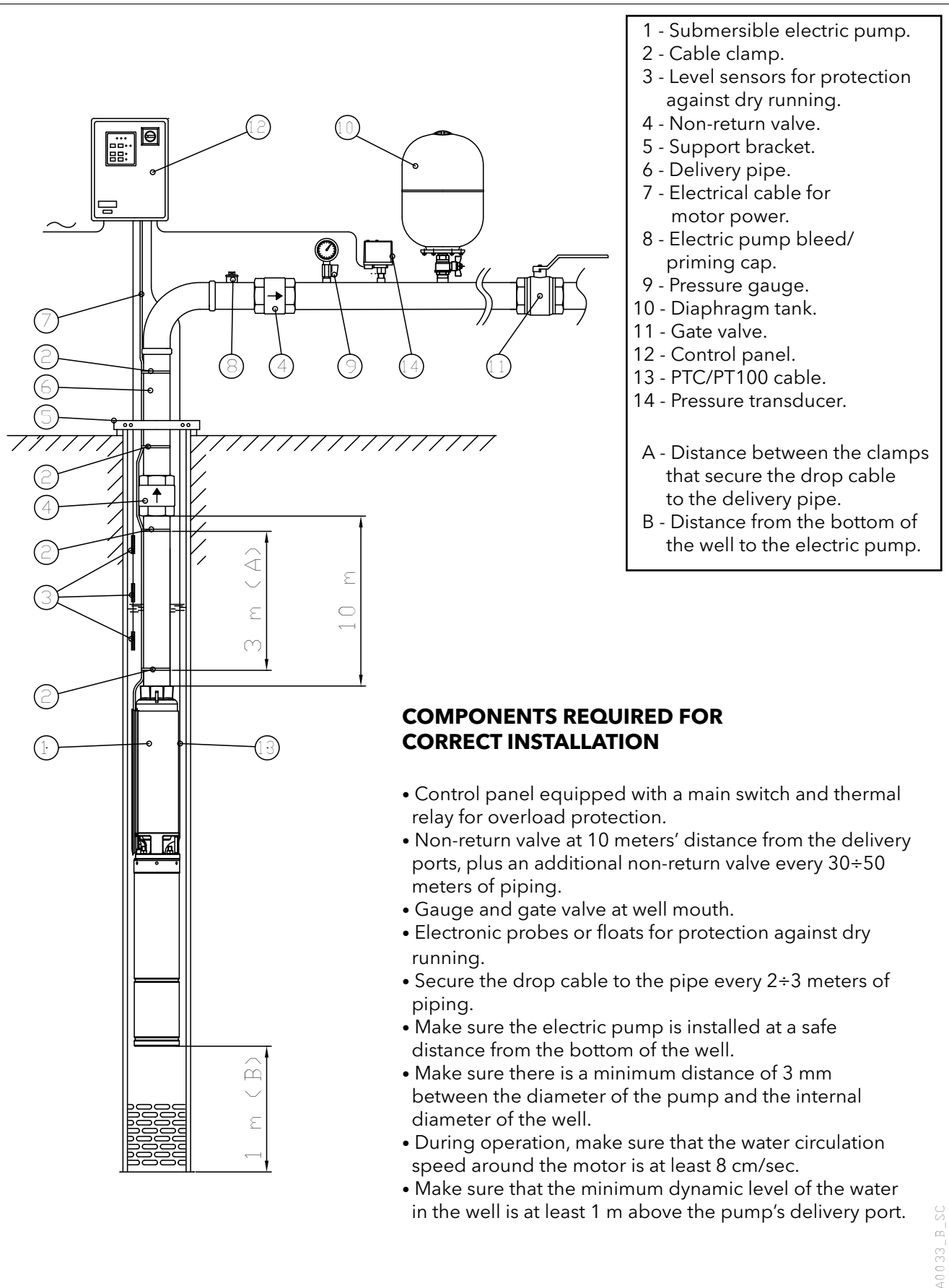
\*Maximum values within operating range.

scuba-sc2-sc4-2p50-en\_b\_tp

For different voltage (e.g. 220-240 V) please contact our network.

# TECHNICAL APPENDIX

## SUBMERSIBLE ELECTRIC PUMP INSTALLATION DIAGRAM



- 1 - Submersible electric pump.
- 2 - Cable clamp.
- 3 - Level sensors for protection against dry running.
- 4 - Non-return valve.
- 5 - Support bracket.
- 6 - Delivery pipe.
- 7 - Electrical cable for motor power.
- 8 - Electric pump bleed/priming cap.
- 9 - Pressure gauge.
- 10 - Diaphragm tank.
- 11 - Gate valve.
- 12 - Control panel.
- 13 - PTC/PT100 cable.
- 14 - Pressure transducer.

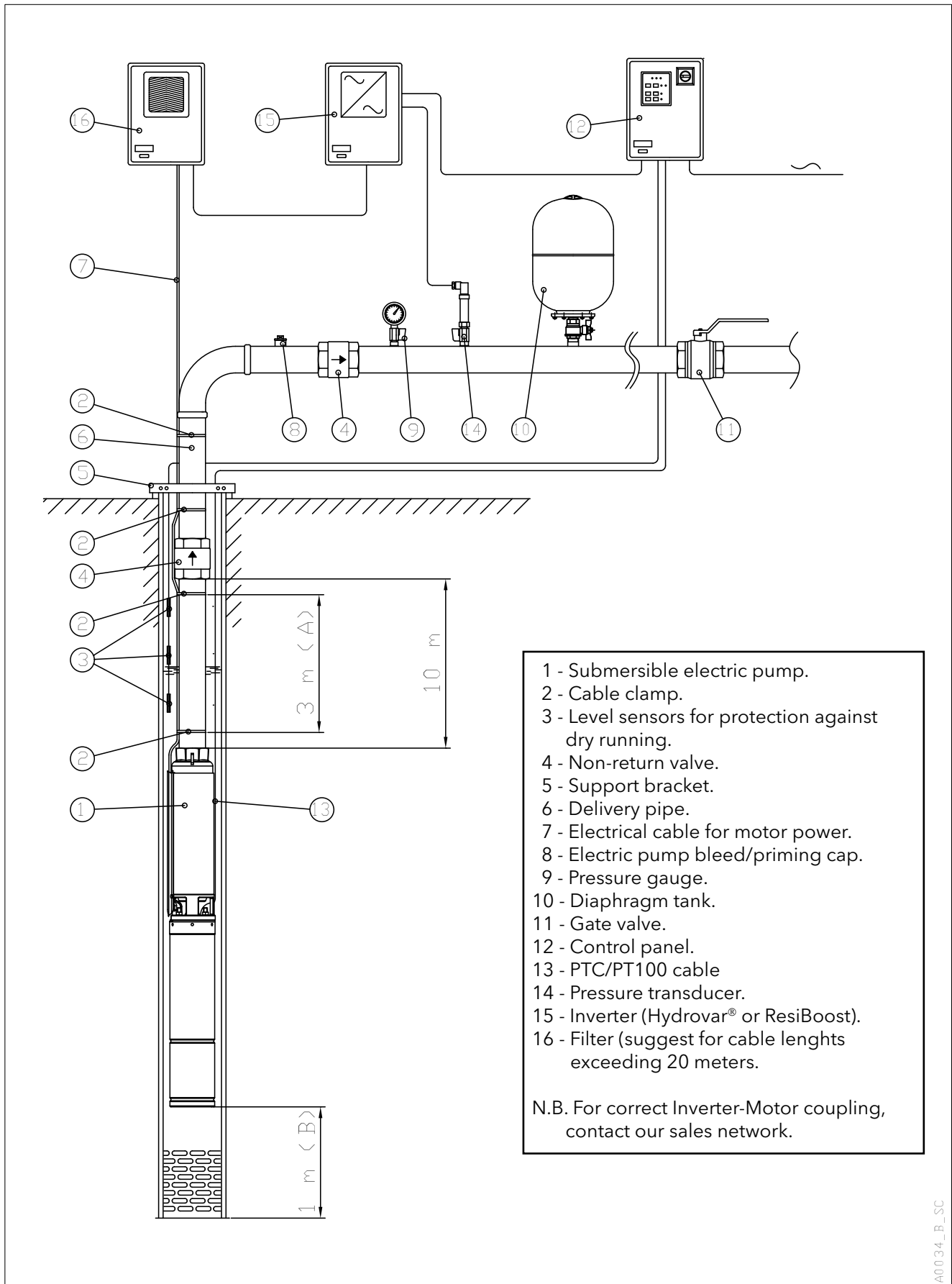
A - Distance between the clamps that secure the drop cable to the delivery pipe.  
B - Distance from the bottom of the well to the electric pump.

### COMPONENTS REQUIRED FOR CORRECT INSTALLATION

- Control panel equipped with a main switch and thermal relay for overload protection.
- Non-return valve at 10 meters' distance from the delivery ports, plus an additional non-return valve every 30÷50 meters of piping.
- Gauge and gate valve at well mouth.
- Electronic probes or floats for protection against dry running.
- Secure the drop cable to the pipe every 2÷3 meters of piping.
- Make sure the electric pump is installed at a safe distance from the bottom of the well.
- Make sure there is a minimum distance of 3 mm between the diameter of the pump and the internal diameter of the well.
- During operation, make sure that the water circulation speed around the motor is at least 8 cm/sec.
- Make sure that the minimum dynamic level of the water in the well is at least 1 m above the pump's delivery port.

A0033\_E\_SC

## EXAMPLE OF INSTALLATION OF A SUBMERSIBLE ELECTRIC PUMP CONTROLLED BY AN INVERTER



A0034\_B\_SC

## SCUBA, 50 Hz: SIZING OF ETHYLENE-PROPILENE (EPR) CABLES, DOL (DIRECT ON LINE) STARTING

PUMP TYPE SINGLE-PHASE	RATED POWER Kw   HP		RATED VOLTAGE V	Cos φ	ABSORBED CURRENT A	VOLTAGE DROP %	CABLE GAUGE: 3 x ...mm <sup>2</sup>									
							mm <sup>2</sup>	1	1,5	2,5	4	6	10	16	25	
							A max	17	23	32	42	54	75	100	127	
SC205	0,55	0,75	220	0,944	4,37	4		53	80	133	213					
			240	0,940	4,37			58	88	146	234					
SC207	0,75	1	220	0,968	5,19			44	66	109	175	263				
			240	0,968	5,19			48	72	119	191	287				
SC209	0,9	1,2	220	0,979	5,88			38	57	96	153	229				
			240	0,979	5,88			42	63	104	167	250				
SC211	1,1	1,5	220	0,981	7,25			31	46	77	124	186	309			
			240	0,981	7,25			34	51	84	135	202	337			
SC407	0,75	1	220	0,970	5,28			43	64	107	172	258				
			240	0,970	5,28			47	70	117	187	281				
SC409	0,9	1,2	220	0,982	6,17			36	54	91	145	218	363			
			240	0,982	6,17			40	59	99	158	238	396			
SC411	1,1	1,5	220	0,984	7,85			28	43	71	114	171	285	456		
			240	0,984	7,85			31	47	78	124	186	311	497		

Posa in aria libera alla temperatura di 30°C, temperatura massima del conduttore di 80°C.

Scubam-cavi-50\_d\_te

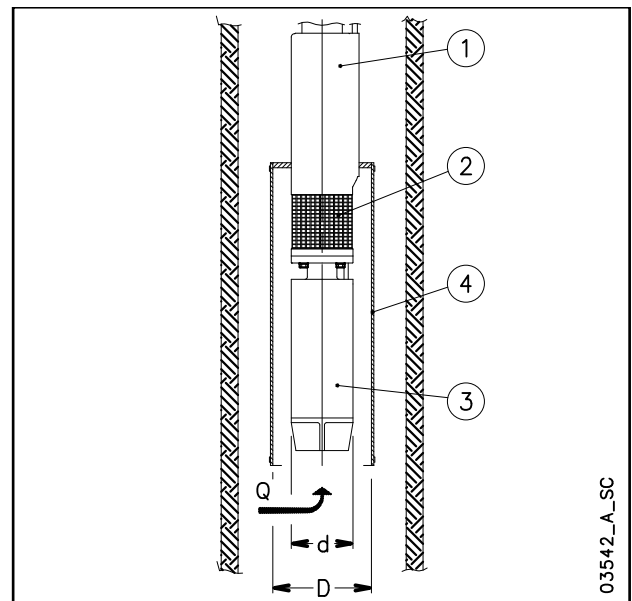
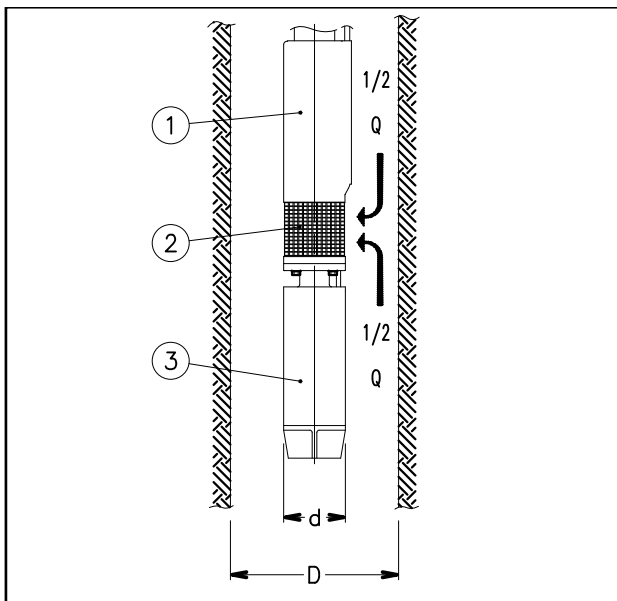
PUMP TYPE THREE-PHASE	RATED POWER Kw   HP		RATED VOLTAGE V	Cos φ	ABSORBED CURRENT A	VOLTAGE DROP %	CABLE GAUGE: 4 x ...mm <sup>2</sup>								
							mm <sup>2</sup>	1	1,5	2,5	4	6	10	16	25
							A max	17	23	32	42	54	75	100	127
SC205T	0,55	0,75	220	0,809	2,81	4		125	188	313					
			240	0,809	2,81			136	205	341					
			380	0,809	1,62			375							
			415	0,809	1,62			409							
SC207T	0,75	1	220	0,728	4,12			95	142	237	379				
			240	0,728	4,12			103	155	258	414				
			380	0,728	2,38			283							
			415	0,728	2,38			309							
SC209T	0,9	1,2	220	0,776	4,4			83	125	208	333				
			240	0,776	4,4			91	136	227	363				
			380	0,776	2,54			249	374						
			415	0,776	2,54			272	408						
SC211T	1,10	2	220	0,810	4,68			75	112	187	300				
			240	0,810	4,68			82	123	204	327				
			380	0,810	2,7			224	337						
			415	0,810	2,7			245	368						
SC407T	0,75	1	220	0,737	4,16			93	139	232	371				
			240	0,737	4,16			101	152	253	405				
			380	0,737	2,4		278	416							
			415	0,737	2,4		303	455							
SC409T	0,9	1,2	220	0,793	4,5		80	119	199	319					
			240	0,793	4,5		87	130	217	348					
			380	0,793	2,6		238	357							
			415	0,793	2,6		260	390							
SC411T	1,1	1,5	220	0,833	4,94		69	104	173	276	414				
			240	0,833	4,94		75	113	188	301	452				
			380	0,833	2,85		207	310							
			415	0,833	2,85		226	339							

Exposed cable laid at a temperature of 30°C, maximum conductor temperature of 80°C.

Scubat-cavi-50-en\_d\_te



## CALCULATING THE SPEED OF THE FLUID THAT FLOWS AROUND A SUBMERGED MOTOR AND SIZING OF THE COOLING SLEEVE



The following formula is used to verify whether the speed of the fluid that flows around the motor of a submersible pump is high enough to guarantee the proper cooling of the motor:

$$v = \frac{\frac{Q}{2}}{\pi \cdot \left( \frac{D^2}{4} - \frac{d^2}{4} \right)}$$

Where: Q in [m<sup>3</sup>/s] is the operating flow rate of the electric pump; only half of this flow is taken into account, because the fluid which is sucked into the area of the filter (2), comes from the motor side (3) as well as from the pump side (1);

D in [m] corresponds to the diameter of the well;

d in [m] corresponds to the diameter of the motor (3);

v in [m/s] is the calculated speed of the fluid that flows around the motor.

Now, compare the speed thus calculated (v) with the minimum speed required for correct cooling of the motor (v<sub>m</sub>): if v ≥ v<sub>m</sub> it means that the motor is properly cooled, if v < v<sub>m</sub> will be necessary to mount a cooling sleeve (4).

Example:

An electric pump OZ630/12 (motor diameter d = 0.144 m) operates in an 8" well (well diameter D = 0.203 m) with flow rate

Q = 20 m<sup>3</sup>/h = 0.0055 m<sup>3</sup>/s.

Speed of fluid v = (0.0055/2) / {π·[(0.203)<sup>2</sup>/4 - (0.144)<sup>2</sup>/4]} = 0.17 m/s.

The minimum speed required for proper motor cooling is v<sub>m</sub> = 0.20 m/s.

Because v < v<sub>m</sub>, it will be necessary to mount a cooling sleeve.

The following formula is used to determine the maximum diameter of a cooling sleeve to be mounted on a submersible motor:

$$D = \sqrt{4 \cdot \left( \frac{Q}{v \cdot \pi} + \frac{d^2}{4} \right)}$$

Where: Q in [m<sup>3</sup>/s] is the operating flow rate of the electric pump; the entire flow is taken into account because the fluid comes from the motor side (3) only;

D in [m] corresponds to the diameter of the cooling sleeve (4);

d in [m] corresponds to the diameter of the motors(3);

v<sub>m</sub> in [m/s] is the minimum speed of the fluid that flows around the motor.

If the electric pump operates at different flow rate, the minimum flow rate must be taken into account for calculating the diameter of the cooling sleeve.

Example:

A motor coupled to the electric pump OZ615/24 (motor diameter d = 0.144 m), which operates with flow rate Q = 15 m<sup>3</sup>/h = 0.0042 m<sup>3</sup>/s, requires a minimum speed of the fluid of v<sub>m</sub> = 0.20 m/s.

Cooling sleeve diameter D = {4·[(0.0042/(0.2·π)+(0.144)<sup>2</sup>/4]}<sup>0.5</sup> = 0.217 m.

## ASYNCHRONOUS MOTOR STARTING SYSTEMS

### Direct

Suitable for low-power motors.  
The starting current ( $I_s$ ) is much higher than the rated current ( $I_n$ ).

$$\text{Starting current } I_s = I_n \times 4 \div 8$$

$$\text{Starting torque } T_s = T_n \times 2 \div 3$$

### Indirect

#### • Star/Delta

The starting current ( $I_s$ ) is three times less than the direct starting current.

$$\text{Starting current } I_s = I_n \times 1.3 \div 2.7$$

$$\text{Starting torque } T_s = T_n \times 0.7 \div 1$$

In the star to delta changeover phase (approx. 70 ms) the motor is not supplied and tends to reduce its rotation speed.

In the case of submersible electric pumps with power above 10 HP, the modest mass of the rotor causes a slowdown at changeover, so that the initial Star supply phase is rendered partially useless. In such cases we recommend using impedance panels or an autotransformer.

#### • Impedances

The motor is started with a voltage which is lower than the rated one, and which is obtained by means of impedances.

The Lowara panels use impedances which cut down to 70% the starting voltage.

The switch to the rated voltage takes place without any interruptions of the power supply.

$$\text{Rated voltage } U_n = 400 \text{ V}$$

$$\text{Starting voltage } U_s = U_n \times 0,7 = 280 \text{ V}$$

#### Starting current

$$I_s = I_n \times 4 \div 8 \times \left( \frac{U_s}{U_n} \right) = I_n \times 3 \div 6$$

#### Starting torque

$$T_s = T_n \times 2 \div 3 \times \left( \frac{U_s}{U_n} \right)^2 = T_n \times 1 \div 1,5$$

### Autotransformer

The pump is started with a voltage which is lower than the rated one.

The Lowara panels use an autotransformer with a voltage that is 70% the value of the line voltage.

The switch to the rated voltage occurs without any interruptions of the power supply.

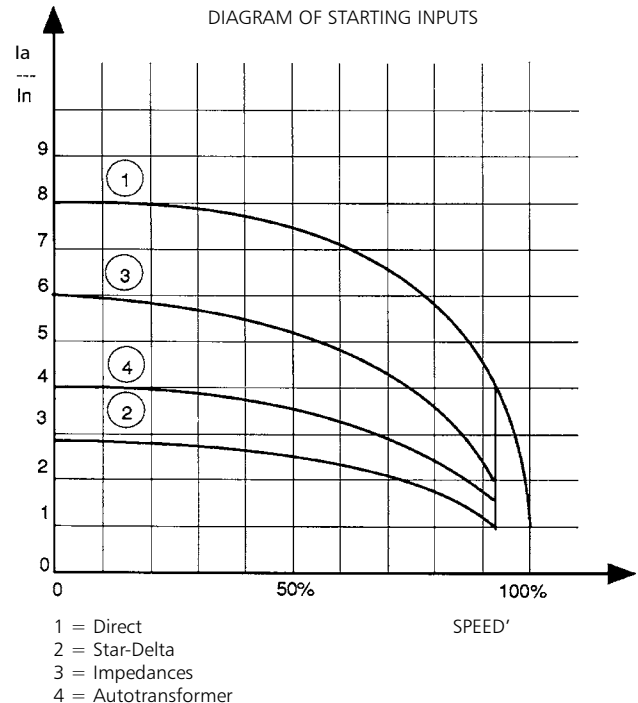
$$\text{Rated voltage } U_n = 400 \text{ V}$$

#### Starting current

$$I_s = I_n \times 4 \div 8 \times \left( \frac{U_s}{U_n} \right) = I_n \times 3 \div 6$$

#### Starting torque

$$T_s = T_n \times 2 \div 3 \times \left( \frac{U_s}{U_n} \right)^2 = T_n \times 1 \div 1,5$$



## WATER REQUIREMENTS IN CIVIL USERS

Determination of the water requirement depends on the type of users and contemporaneity factor. The calculation may be subject to regulations, standards or customs that may vary from country to country. The calculation method shown below is an example based on practical experience, designed to provide a reference value and not a substitute for detailed analytical calculation.

### Water requirements in condominiums

The **consumption table** shows the maximum values for each delivery point, depending on the plumbing amenities:

### MAXIMUM CONSUMPTION FOR EACH DELIVERY POINT

TYPE	CONSUMPTION (l/min)
Sink	9
Dishwasher	10
Washing machine	12
Shower	12
Bathtub	15
Washbasin	6
Bidet	6
Flush tank WC	6
Controlled flushing system WC	90

The **sum of the water consumption values** of each delivery point determines the maximum theoretical requirement, which must be reduced according to the **contemporaneity coefficient**, because in actual fact the delivery points are never used all together.

$f = \frac{1}{\sqrt{(0,857 \times Nr \times Na)}}$	Coefficient for apartments with one bathroom and flush tank WC
$f = \frac{1}{\sqrt{(0,857 \times Nr \times Na)}}$	Coefficient for apartments with one bathroom and controlled flushing system WC
$f = \frac{1,03}{\sqrt{(0,545 \times Nr \times Na)}}$	Coefficient for apartments with two bathrooms and flush tank WC
$f = \frac{0,8}{\sqrt{(0,727 \times Nr \times Na)}}$	Coefficient for apartments with two bathrooms and controlled flushing system WC
f= coefficient; Nr= number of delivery points; Na= number of apartments	

The **table of water requirements in civil users** shows the maximum contemporaneity flow-rate values based on the **number of apartments** and the type of WC for apartments with one bathroom and two bathrooms. As regards apartments with one bathroom, 7 drawing points have been taken into consideration, while 11 points have been considered for apartments with two bathrooms. If the number of drawing points or apartments is different, use the formulas to **calculate** the requirement.

## TABLE OF WATER REQUIREMENTS IN CIVIL USERS

NUMBER OF APARTMENTS	WITH FLUSH TANK WC		WITH CONTROLLED FLUSHING SYSTEM WC	
	1	2	1	2
	FLOW RATE (l/min)			
1	32	40	60	79
2	45	56	85	111
3	55	68	105	136
4	63	79	121	157
5	71	88	135	176
6	78	97	148	193
7	84	105	160	208
8	90	112	171	223
9	95	119	181	236
10	100	125	191	249
11	105	131	200	261
12	110	137	209	273
13	114	143	218	284
14	119	148	226	295
15	123	153	234	305
16	127	158	242	315
17	131	163	249	325
18	134	168	256	334
19	138	172	263	343
20	142	177	270	352
21	145	181	277	361
22	149	185	283	369
23	152	190	290	378
24	155	194	296	386
25	158	198	302	394
26	162	202	308	401
27	165	205	314	409
28	168	209	320	417
29	171	213	325	424
30	174	217	331	431
35	187	234	357	466
40	200	250	382	498
45	213	265	405	528
50	224	280	427	557
55	235	293	448	584
60	245	306	468	610
65	255	319	487	635
70	265	331	506	659
75	274	342	523	682
80	283	354	540	704
85	292	364	557	726
90	301	375	573	747
95	309	385	589	767
100	317	395	604	787
120	347	433	662	863
140	375	468	715	932
160	401	500	764	996
180	425	530	811	1056
200	448	559	854	1114

For seaside resorts, a flow rate increased by at least 20% must be considered.

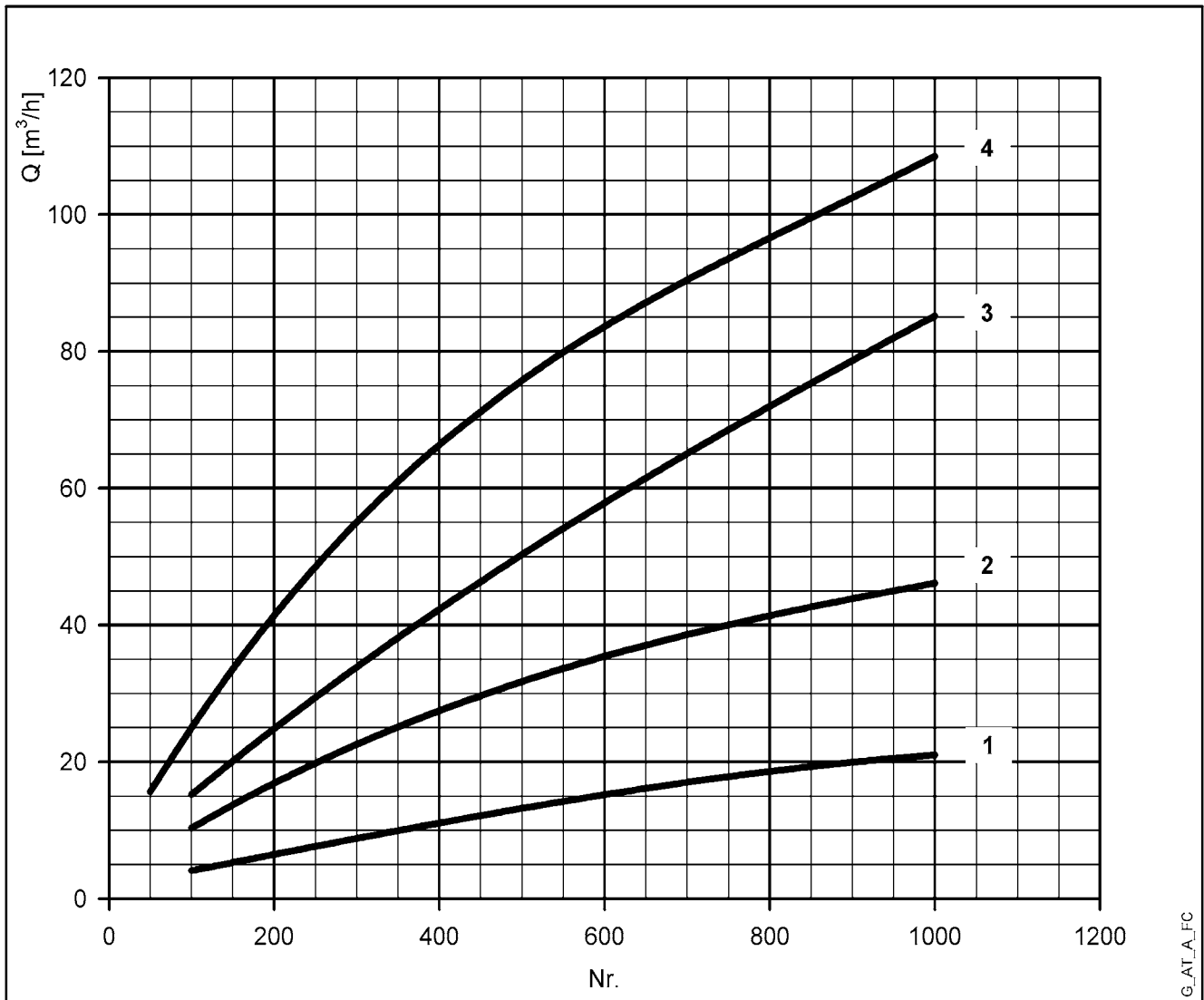
G-at-fi\_a\_th

## WATER REQUIREMENTS FOR COMMUNITY BUILDINGS

The requirements of buildings intended for specific uses, such as **offices, residential units, hotels, department stores, nursing homes** and so on, are different from those of condominiums, and both their global daily water consumption and the maximum contemporaneity flow rate are usually greater.

The **diagram of water requirements for community buildings** shows the maximum contemporaneity flow rate of some types of communities, for guidance.

These requirements must be determined case by case with the utmost accuracy, using analytical calculation methods, according to particular needs and local provisions.



For seaside resorts, the flow rate must be increased by at least 20%.

- 1= Offices (N. of people)
- 2= Department stores (N. of people)
- 3= Nursing homes (N. of beds)
- 4= Hotels, residences (N. of beds)

## NPSH

The minimum operating values that can be reached at the pump suction end are limited by the onset of cavitation.

Cavitation is the formation of vapour-filled cavities within liquids where the pressure is locally reduced to a critical value, or where the local pressure is equal to, or just below the vapour pressure of the liquid.

The vapour-filled cavities flow with the current and when they reach a higher pressure area the vapour contained in the cavities condenses. The cavities collide, generating pressure waves that are transmitted to the walls. These, being subjected to stress cycles, gradually become deformed and yield due to fatigue. This phenomenon, characterized by a metallic noise produced by the hammering on the pipe walls, is called incipient cavitation.

The damage caused by cavitation may be magnified by electrochemical corrosion and a local rise in temperature due to the plastic deformation of the walls. The materials that offer the highest resistance to heat and corrosion are alloy steels, especially austenitic steel. The conditions that trigger cavitation may be assessed by calculating the total net suction head, referred to in technical literature with the acronym NPSH (Net Positive Suction Head).

The NPSH represents the total energy (expressed in m.) of the liquid measured at suction under conditions of incipient cavitation, excluding the vapour pressure (expressed in m.) that the liquid has at the pump inlet.

To find the static height  $h_z$  at which to install the machine under safe conditions, the following formula must be verified:

$$h_p + h_z \geq (NPSH_r + 0.5) + h_f + h_{pv} \text{ ①}$$

where:

**$h_p$**  is the absolute pressure applied to the free liquid surface in the suction tank, expressed in m. of liquid;  $h_p$  is the quotient between the barometric pressure and the specific weight of the liquid.

**$h_z$**  is the suction lift between the pump axis and the free liquid surface in the suction tank, expressed in m.;  $h_z$  is negative when the liquid level is lower than the pump axis.

**$h_f$**  is the flow resistance in the suction line and its accessories, such as: fittings, foot valve, gate valve, elbows, etc.

**$h_{pv}$**  is the vapour pressure of the liquid at the operating temperature, expressed in m. of liquid.  $h_{pv}$  is the quotient between the  $P_v$  vapour pressure and the liquid's specific weight.

**0,5** is the safety factor.

The maximum possible suction head for installation depends on the value of the atmospheric pressure (i.e. the elevation above sea level at which the pump is installed) and the temperature of the liquid.

To help the user, with reference to water temperature (4° C) and to the elevation above sea level, the following tables show the drop in hydraulic pressure head in relation to the elevation above sea level, and the suction loss in relation to temperature.

Water temperature (°C)	20	40	60	80	90	110	120
Suction loss (m)	0,2	0,7	2,0	5,0	7,4	15,4	21,5

Elevation above sea level (m)	500	1000	1500	2000	2500	3000
Suction loss (m)	0,55	1,1	1,65	2,2	2,75	3,3

Friction loss is shown in the tables at pages 117-118 of this catalogue. To reduce it to a minimum, especially in cases of high suction head (over 4-5 m.) or within the operating limits with high flow rates, we recommend using a suction line having a larger diameter than that of the pump's suction port. It is always a good idea to position the pump as close as possible to the liquid to be pumped.

Make the following calculation:

Liquid: water at ~15°C  $\gamma = 1 \text{ kg/dm}^3$

Flow rate required: 30 m<sup>3</sup>/h

Head for required delivery: 43 m.

Suction lift: 3,5 m.

The selection is an FHE 40-200/75 pump whose NPSH required value is, at 30 m<sup>3</sup>/h, di 2,5 m.

For water at 15 °C

$h_p = P_a / \gamma = 10,33\text{m}$ ,  $h_{pv} = P_v / \gamma = 0,174\text{m}$  (0,01701 bar)

The  $H_f$  flow resistance in the suction line with foot valves is ~ 1,2 m.

By substituting the parameters in formula ① with the numeric values above, we have:

$$10,33 + (-3,5) \geq (2,5 + 0,5) + 1,2 + 0,17$$

from which we have:  $6,8 > 4,4$

The relation is therefore verified.

## TECHNICAL APPENDIX VAPOUR PRESSURE VAPOUR PRESSURE $p_s$ AND $\rho$ DENSITY OF WATER TABLE

t °C	T K	$p_s$ bar	$\rho$ kg/dm <sup>3</sup>	t °C	T K	$p_s$ bar	$\rho$ kg/dm <sup>3</sup>	t °C	T K	$p_s$ bar	$\rho$ kg/dm <sup>3</sup>
0	273,15	0,00611	0,9998	55	328,15	0,15741	0,9857	120	393,15	1,9854	0,9429
1	274,15	0,00657	0,9999	56	329,15	0,16511	0,9852	122	395,15	2,1145	0,9412
2	275,15	0,00706	0,9999	57	330,15	0,17313	0,9846	124	397,15	2,2504	0,9396
3	276,15	0,00758	0,9999	58	331,15	0,18147	0,9842	126	399,15	2,3933	0,9379
4	277,15	0,00813	1,0000	59	332,15	0,19016	0,9837	128	401,15	2,5435	0,9362
5	278,15	0,00872	1,0000	60	333,15	0,1992	0,9832	130	403,15	2,7013	0,9346
6	279,15	0,00935	1,0000	61	334,15	0,2086	0,9826	132	405,15	2,867	0,9328
7	280,15	0,01001	0,9999	62	335,15	0,2184	0,9821	134	407,15	3,041	0,9311
8	281,15	0,01072	0,9999	63	336,15	0,2286	0,9816	136	409,15	3,223	0,9294
9	282,15	0,01147	0,9998	64	337,15	0,2391	0,9811	138	411,15	3,414	0,9276
10	283,15	0,01227	0,9997	65	338,15	0,2501	0,9805	140	413,15	3,614	0,9258
11	284,15	0,01312	0,9997	66	339,15	0,2615	0,9799	145	418,15	4,155	0,9214
12	285,15	0,01401	0,9996	67	340,15	0,2733	0,9793	155	428,15	5,433	0,9121
13	286,15	0,01497	0,9994	68	341,15	0,2856	0,9788	160	433,15	6,181	0,9073
14	287,15	0,01597	0,9993	69	342,15	0,2984	0,9782	165	438,15	7,008	0,9024
15	288,15	0,01704	0,9992	70	343,15	0,3116	0,9777	170	433,15	7,920	0,8973
16	289,15	0,01817	0,9990	71	344,15	0,3253	0,9770	175	448,15	8,924	0,8921
17	290,15	0,01936	0,9988	72	345,15	0,3396	0,9765	180	453,15	10,027	0,8869
18	291,15	0,02062	0,9987	73	346,15	0,3543	0,9760	185	458,15	11,233	0,8815
19	292,15	0,02196	0,9985	74	347,15	0,3696	0,9753	190	463,15	12,551	0,8760
20	293,15	0,02337	0,9983	75	348,15	0,3855	0,9748	195	468,15	13,987	0,8704
21	294,15	0,24850	0,9981	76	349,15	0,4019	0,9741	200	473,15	15,550	0,8647
22	295,15	0,02642	0,9978	77	350,15	0,4189	0,9735	205	478,15	17,243	0,8588
23	296,15	0,02808	0,9976	78	351,15	0,4365	0,9729	210	483,15	19,077	0,8528
24	297,15	0,02982	0,9974	79	352,15	0,4547	0,9723	215	488,15	21,060	0,8467
25	298,15	0,03166	0,9971	80	353,15	0,4736	0,9716	220	493,15	23,198	0,8403
26	299,15	0,03360	0,9968	81	354,15	0,4931	0,9710	225	498,15	25,501	0,8339
27	300,15	0,03564	0,9966	82	355,15	0,5133	0,9704	230	503,15	27,976	0,8273
28	301,15	0,03778	0,9963	83	356,15	0,5342	0,9697	235	508,15	30,632	0,8205
29	302,15	0,04004	0,9960	84	357,15	0,5557	0,9691	240	513,15	33,478	0,8136
30	303,15	0,04241	0,9957	85	358,15	0,5780	0,9684	245	518,15	36,523	0,8065
31	304,15	0,04491	0,9954	86	359,15	0,6011	0,9678	250	523,15	39,776	0,7992
32	305,15	0,04753	0,9951	87	360,15	0,6249	0,9671	255	528,15	43,246	0,7916
33	306,15	0,05029	0,9947	88	361,15	0,6495	0,9665	260	533,15	46,943	0,7839
34	307,15	0,05318	0,9944	89	362,15	0,6749	0,9658	265	538,15	50,877	0,7759
35	308,15	0,05622	0,9940	90	363,15	0,7011	0,9652	270	543,15	55,058	0,7678
36	309,15	0,05940	0,9937	91	364,15	0,7281	0,9644	275	548,15	59,496	0,7593
37	310,15	0,06274	0,9933	92	365,15	0,7561	0,9638	280	553,15	64,202	0,7505
38	311,15	0,06624	0,9930	93	366,15	0,7849	0,9630	285	558,15	69,186	0,7415
39	312,15	0,06991	0,9927	94	367,15	0,8146	0,9624	290	563,15	74,461	0,7321
40	313,15	0,07375	0,9923	95	368,15	0,8453	0,9616	295	568,15	80,037	0,7223
41	314,15	0,07777	0,9919	96	369,15	0,8769	0,9610	300	573,15	85,927	0,7122
42	315,15	0,08198	0,9915	97	370,15	0,9094	0,9602	305	578,15	92,144	0,7017
43	316,15	0,09639	0,9911	98	371,15	0,9430	0,9596	310	583,15	98,70	0,6906
44	317,15	0,09100	0,9907	99	372,15	0,9776	0,9586	315	588,15	105,61	0,6791
45	318,15	0,09582	0,9902	100	373,15	1,0133	0,9581	320	593,15	112,89	0,6669
46	319,15	0,10086	0,9898	102	375,15	1,0878	0,9567	325	598,15	120,56	0,6541
47	320,15	0,10612	0,9894	104	377,15	1,1668	0,9552	330	603,15	128,63	0,6404
48	321,15	0,11162	0,9889	106	379,15	1,2504	0,9537	340	613,15	146,05	0,6102
49	322,15	0,11736	0,9884	108	381,15	1,3390	0,9522	350	623,15	165,35	0,5743
50	323,15	0,12335	0,9880	110	383,15	1,4327	0,9507	360	633,15	186,75	0,5275
51	324,15	0,12961	0,9876	112	385,15	1,5316	0,9491	370	643,15	210,54	0,4518
52	325,15	0,13613	0,9871	114	387,15	1,6362	0,9476	374,15	647,30	221,20	0,3154
53	326,15	0,14293	0,9862	116	389,15	1,7465	0,9460				
54	327,15	0,15002	0,9862	118	391,15	1,8628	0,9445				

G-at\_npsh\_a\_sc

### TABLE OF FLOW RESISTANCE IN 100 m OF STRAIGHT CAST IRON PIPELINE (HAZEN-WILLIAMS FORMULA C=100)

FLOW RATE		NOMINAL DIAMETER in mm and INCHES																			
m <sup>3</sup> /h	l/min		15	20	25	32	40	50	65	80	100	125	150	175	200	250	300	350	400		
			1/2"	3/4"	1"	1 1/4"	1 1/2"	2	2 1/2"	3"	4"	5"	6"	7"	8"	10"	12"	14"	16"		
0,6	10	v	0,94	0,53	0,34	0,21	0,13														
		hr	16	3,94	1,33	0,40	0,13														
0,9	15	v	1,42	0,80	0,51	0,31	0,20														
		hr	33,9	8,35	2,82	0,85	0,29														
1,2	20	v	1,89	1,06	0,68	0,41	0,27	0,17													
		hr	57,7	14,21	4,79	1,44	0,49	0,16													
1,5	25	v	2,36	1,33	0,85	0,52	0,33	0,21													
		hr	87,2	21,5	7,24	2,18	0,73	0,25													
1,8	30	v	2,83	1,59	1,02	0,62	0,40	0,25													
		hr	122	30,1	10,1	3,05	1,03	0,35													
2,1	35	v	3,30	1,86	1,19	0,73	0,46	0,30													
		hr	162	40,0	13,5	4,06	1,37	0,46													
2,4	40	v	2,12	1,36	0,83	0,53	0,34	0,20													
		hr	51,2	17,3	5,19	1,75	0,59	0,16													
3	50	v	2,65	1,70	1,04	0,66	0,42	0,25													
		hr	77,4	26,1	7,85	2,65	0,89	0,25													
3,6	60	v	3,18	2,04	1,24	0,80	0,51	0,30													
		hr	108	36,6	11,0	3,71	1,25	0,35													
4,2	70	v	3,72	2,38	1,45	0,93	0,59	0,35													
		hr	144	48,7	14,6	4,93	1,66	0,46													
4,8	80	v	4,25	2,72	1,66	1,06	0,68	0,40													
		hr	185	62,3	18,7	6,32	2,13	0,59													
5,4	90	v			3,06	1,87	1,19	0,76	0,45	0,30											
		hr			77,5	23,3	7,85	2,65	0,74	0,27											
6	100	v			3,40	2,07	1,33	0,85	0,50	0,33											
		hr			94,1	28,3	9,54	3,22	0,90	0,33											
7,5	125	v			4,25	2,59	1,66	1,06	0,63	0,41											
		hr			142	42,8	14,4	4,86	1,36	0,49											
9	150	v			3,11	1,99	1,27	0,75	0,50	0,32											
		hr			59,9	20,2	6,82	1,90	0,69	0,23											
10,5	175	v			3,63	2,32	1,49	0,88	0,58	0,37											
		hr			79,7	26,9	9,07	2,53	0,92	0,31											
12	200	v			4,15	2,65	1,70	1,01	0,66	0,42											
		hr			102	34,4	11,6	3,23	1,18	0,40											
15	250	v			5,18	3,32	2,12	1,26	0,83	0,53	0,34										
		hr			154	52,0	17,5	4,89	1,78	0,60	0,20										
18	300	v			3,98	2,55	1,51	1,00	0,64	0,41											
		hr			72,8	24,6	6,85	2,49	0,84	0,28											
24	400	v				5,31	3,40	2,01	1,33	0,85	0,54	0,38									
		hr				124	41,8	11,66	4,24	1,43	0,48	0,20									
30	500	v				6,63	4,25	2,51	1,66	1,06	0,68	0,47									
		hr				187	63,2	17,6	6,41	2,16	0,73	0,30									
36	600	v				5,10	3,02	1,99	1,27	0,82	0,57	0,42									
		hr				88,6	24,7	8,98	3,03	1,02	0,42	0,20									
42	700	v				5,94	3,52	2,32	1,49	0,95	0,66	0,49									
		hr				118	32,8	11,9	4,03	1,36	0,56	0,26									
48	800	v				6,79	4,02	2,65	1,70	1,09	0,75	0,55									
		hr				151	42,0	15,3	5,16	1,74	0,72	0,34									
54	900	v				7,64	4,52	2,99	1,91	1,22	0,85	0,62									
		hr				188	52,3	19,0	6,41	2,16	0,89	0,42									
60	1000	v				5,03	3,32	2,12	1,36	0,94	0,69	0,53									
		hr				63,5	23,1	7,79	2,63	1,08	0,51	0,27									
75	1250	v				6,28	4,15	2,65	1,70	1,18	0,87	0,66									
		hr				96,0	34,9	11,8	3,97	1,63	0,77	0,40									
90	1500	v				7,54	4,98	3,18	2,04	1,42	1,04	0,80									
		hr				134	48,9	16,5	5,57	2,29	1,08	0,56									
105	1750	v				8,79	5,81	3,72	2,38	1,65	1,21	0,93									
		hr				179	65,1	21,9	7,40	3,05	1,44	0,75									
120	2000	v				6,63	4,25	2,72	1,89	1,39	1,06	0,68									
		hr				83,3	28,1	9,48	3,90	1,84	0,96	0,32									
150	2500	v				8,29	5,31	3,40	2,36	1,73	1,33	0,85									
		hr				126	42,5	14,3	5,89	2,78	1,45	0,49									
180	3000	v				6,37	4,08	2,83	2,08	1,59	1,02	0,71									
		hr				59,5	20,1	8,26	3,90	2,03	0,69	0,28									
210	3500	v				7,43	4,76	3,30	2,43	1,86	1,19	0,83									
		hr				79,1	26,7	11,0	5,18	2,71	0,91	0,38									
240	4000	v				8,49	5,44	3,77	2,77	2,12	1,36	0,94									
		hr				101	34,2	14,1	6,64	3,46	1,17	0,48									
300	5000	v				6,79	4,72	3,47	2,65	1,70	1,18	0,87									
		hr				51,6	21,2	10,0	5,23	1,77	0,73										
360	6000	v				8,15	5,66	4,16	3,18	2,04	1,42	1,04									
		hr				72,3	29,8	14,1	7,33	2,47	1,02										
420	7000	v				6,61	4,85	3,72	2,38	1,65	1,21	0,93								1,21	
		hr				39,6	18,7	9,75	3,29	1,35	0,64									0,64	
480	8000	v				7,55	5,55	4,25	2,72	1,89	1,39	1,06								1,39	
		hr				50,7	23,9	12,49	4,21	1,73	0,82									0,82	
540	9000	v				8,49	6,24	4,78	3,06	2,12	1,56	1,19								1,56	1,19
		hr				63,0	29,8														



## FLOW RESISTANCE

### TABLE OF FLOW RESISTANCE IN BENDS, VALVES AND GATES

The flow resistance is calculated using the equivalent pipeline length method according to the table below:

ACCESSORY TYPE	DN											
	25	32	40	50	65	80	100	125	150	200	250	300
	Equivalent pipeline length (m)											
45° bend	0,2	0,2	0,4	0,4	0,6	0,6	0,9	1,1	1,5	1,9	2,4	2,8
90° bend	0,4	0,6	0,9	1,1	1,3	1,5	2,1	2,6	3,0	3,9	4,7	5,8
90° smooth bend	0,4	0,4	0,4	0,6	0,9	1,1	1,3	1,7	1,9	2,8	3,4	3,9
Union tee or cross	1,1	1,3	1,7	2,1	2,6	3,2	4,3	5,3	6,4	7,5	10,7	12,8
Gate	-	-	-	0,2	0,2	0,2	0,4	0,4	0,6	0,9	1,1	1,3
Non return valve	1,1	1,5	1,9	2,4	3,0	3,4	4,7	5,9	7,4	9,6	11,8	13,9

G-a-pcv\_a\_th

The table is valid for the Hazen Williams coefficient  $C = 100$  (cast iron pipework). For steel pipework, multiply the values by 1.41. For stainless steel, copper and coated cast iron pipework, multiply the values by 1.85.

When the **equivalent pipeline length** has been determined, the flow resistance is obtained from the table of flow resistance.

The values given are guideline values which are bound to vary slightly according to the model, especially for gate valves and non-return valves, for which it is a good idea to check the values supplied by the manufacturers.

## VOLUMETRIC CAPACITY

Litres per minute l/min	Cubic metres per hour m <sup>3</sup> /h	Cubic feet per hour ft <sup>3</sup> /h	Cubic feet per minute ft <sup>3</sup> /min	Imperial gallon per minute Imp. gal/min	U.S. gallon per minute US gal/min
<b>1,000</b>	0,0600	2,1189	0,0353	0,2200	0,2642
16,6667	<b>1,0000</b>	35,3147	0,5886	3,6662	4,4029
0,4719	0,0283	<b>1,0000</b>	0,0167	0,1038	0,1247
28,3168	1,6990	60,0000	<b>1,0000</b>	6,2288	7,4805
4,5461	0,2728	9,6326	0,1605	<b>1,0000</b>	1,2009
3,7854	0,2271	8,0208	0,1337	0,8327	<b>1,0000</b>

## PRESSURE AND HEAD

Newton per square metre N/m <sup>2</sup>	kilo Pascal kPa	bar bar	Pound force per square inch psi	Metre of water m H <sub>2</sub> O	Millimetre of mercury mm Hg
<b>1,0000</b>	0,0010	$1 \times 10^{-5}$	$1,45 \times 10^{-4}$	$1,02 \times 10^{-4}$	0,0075
1 000,0000	<b>1,0000</b>	0,0100	0,1450	0,1020	7,5006
$1 \times 10^5$	100,0000	<b>1,0000</b>	14,5038	10,1972	750,0638
6 894,7570	6,8948	0,0689	<b>1,0000</b>	0,7031	51,7151
9 806,6500	9,8067	0,0981	1,4223	<b>1,0000</b>	73,5561
133,3220	0,1333	0,0013	0,0193	0,0136	<b>1,0000</b>

## LENGTH

Millimetre mm	Centimetre cm	Metre m	Inch in	Foot ft	Yard yd
<b>1,0000</b>	0,1000	0,0010	0,0394	0,0033	0,0011
10,0000	<b>1,0000</b>	0,0100	0,3937	0,0328	0,0109
1 000,0000	100,0000	<b>1,0000</b>	39,3701	3,2808	1,0936
25,4000	2,5400	0,0254	<b>1,0000</b>	0,0833	0,0278
304,8000	30,4800	0,3048	12,0000	<b>1,0000</b>	0,3333
914,4000	91,4400	0,9144	36,0000	3,0000	<b>1,0000</b>

## VOLUME

Cubic metre m <sup>3</sup>	Litre L	Millilitre ml	Imperial gallon imp. gal.	U.S. gallon US gal.	Cubic foot ft <sup>3</sup>
<b>1,0000</b>	1 000,0000	$1 \times 10^6$	219,9694	264,1720	35,3147
0,0010	<b>1,0000</b>	1 000,0000	0,2200	0,2642	0,0353
$1 \times 10^{-6}$	0,0010	<b>1,0000</b>	$2,2 \times 10^{-4}$	$2,642 \times 10^{-4}$	$3,53 \times 10^{-5}$
0,0045	4,5461	4 546,0870	<b>1,0000</b>	1,2009	0,1605
0,0038	3,7854	3 785,4120	0,8327	<b>1,0000</b>	0,1337
0,0283	28,3168	28 316,8466	6,2288	7,4805	<b>1,0000</b>

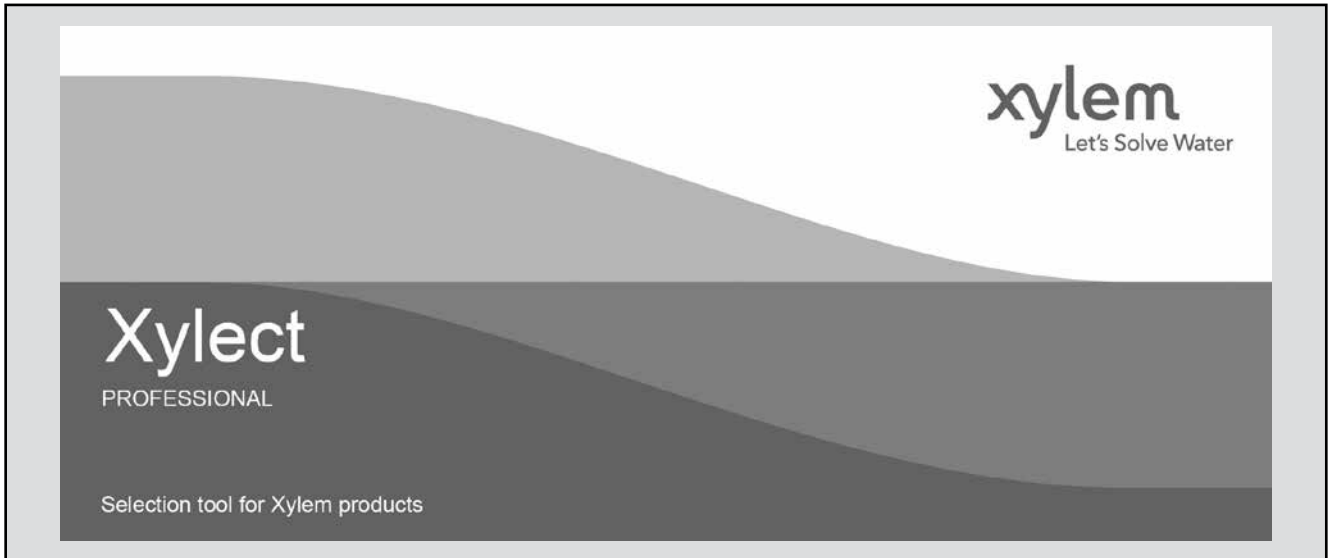
## TEMPERATURE

Water	Kelvin K	Celsius °C	Fahrenheit °F	$^{\circ}\text{F} = ^{\circ}\text{C} \times \frac{9}{5} + 32$ $^{\circ}\text{C} = (^{\circ}\text{F} - 32) \times \frac{5}{9}$
icing	273,1500	0,0000	32,0000	
boiling	373,1500	100,0000	212,0000	

G-at\_pp-en\_b\_sc

## FURTHER PRODUCT SELECTION AND DOCUMENTATION

### Xylect™



Xylect is pump solution selection software with an extensive online database of product information across the entire Lowara, and Vogel range of pumps and related products, with multiple search options and helpful project management facilities. The system holds up-to-date product information on thousands of products and accessories.

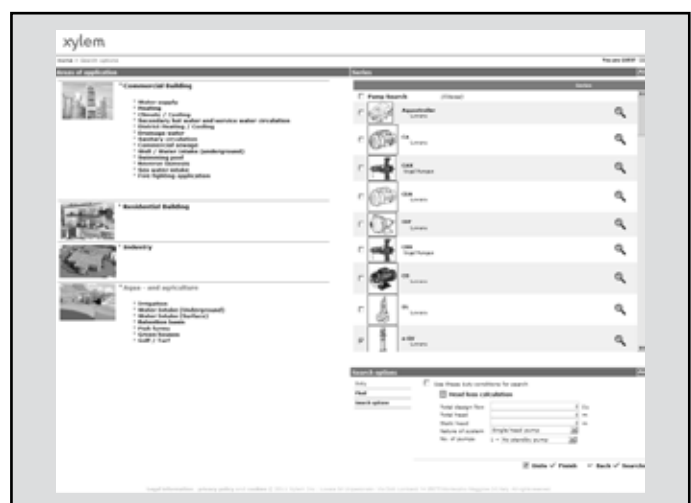
The possibility to search by applications and the detailed information output given makes it easy to make the optimal selection without having detailed knowledge about the Lowara and Vogel products.

The search can be made by:

- Application
- Product type
- Duty point

Xylect gives a detailed output:

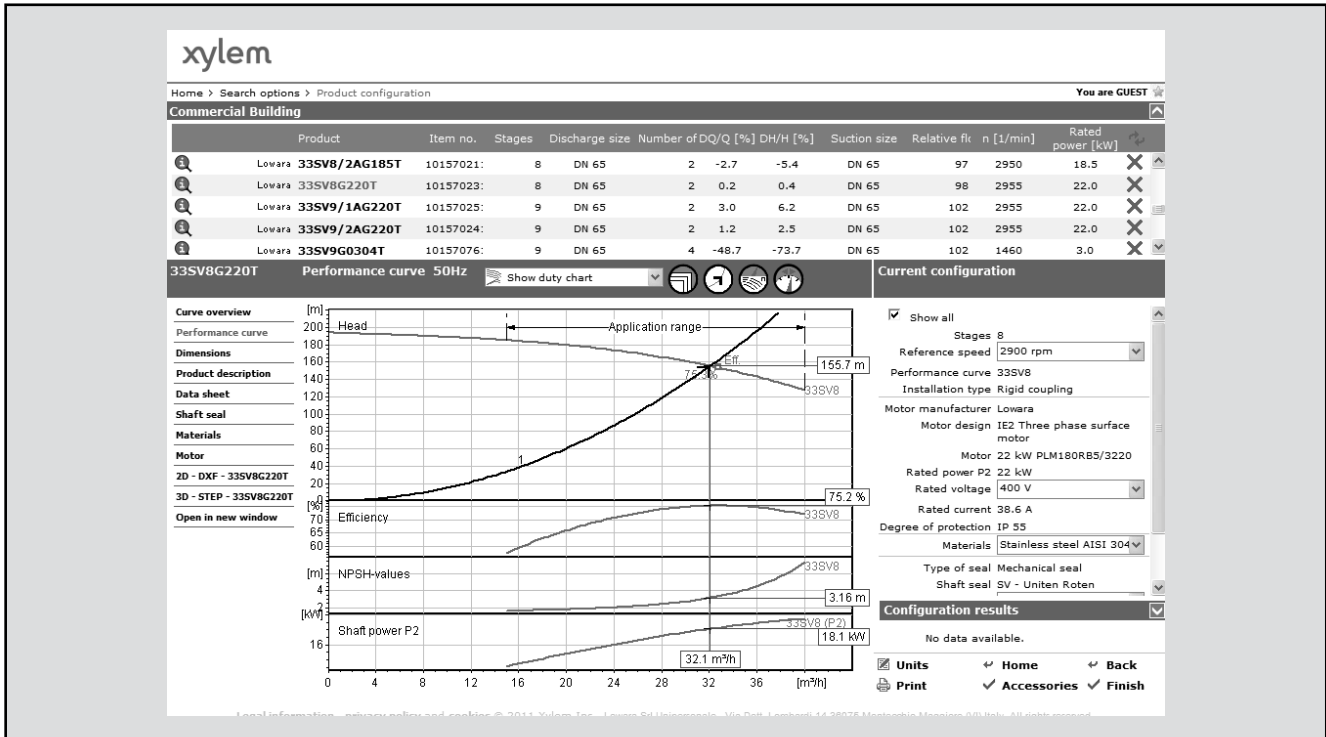
- List with search results
- Performance curves (flow, head, power, efficiency, NPSH)
- Motor data
- Dimensional drawings
- Options
- Data sheet printouts
- Document downloads incl dxf files



*The search by application guides users not familiar with the product range to the right choice.*

## FURTHER PRODUCT SELECTION AND DOCUMENTATION

### Xylect™



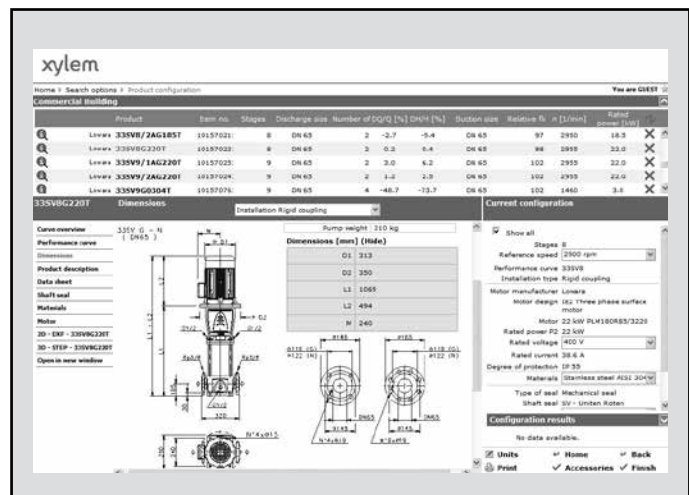
The detailed output makes it easy to select the optimal pump from the given alternatives.

The best way to work with Xylect is to create a personal account. This makes it possible to:

- Set own standard units
- Create and save projects
- Share projects with other Xylect users

Every registered user has a proper space, where all projects are saved.

For more information about Xylect please contact our sales network or visit [www.xylect.com](http://www.xylect.com).



Dimensional drawings appear on the screen and can be downloaded in dxf format.







# Xylem |'zīləm|

- 1) The tissue in plants that brings water upward from the roots;
- 2) a leading global water technology company.

We're a global team unified in a common purpose: creating advanced technology solutions to the world's water challenges. Developing new technologies that will improve the way water is used, conserved, and reused in the future is central to our work. Our products and services move, treat, analyze, monitor and return water to the environment, in public utility, industrial, residential and commercial building services, and agricultural settings. With its October 2016 acquisition of Sensus, Xylem added smart metering, network technologies and advanced data analytics for water, gas and electric utilities to its portfolio of solutions. In more than 150 countries, we have strong, long-standing relationships with customers who know us for our powerful combination of leading product brands and applications expertise with a strong focus on developing comprehensive, sustainable solutions.

**For more information on how Xylem can help you, go to [xylem.com](http://xylem.com).**



For information and technical support  
Xylem Service Italia Srl

Via Dottor Vittorio Lombardi 14  
36075 - Montecchio Maggiore (VI) - Italy  
Tel. (+39) 0444 707111  
Fax (+39) 0444 491043  
[www.lowara.com](http://www.lowara.com)

Xylem Service Italia Srl reserves the right to make modification without prior notice.  
Lowara, Xylem are trademarks of Xylem Inc. or one of its subsidiaries  
© 2017 Xylem, Inc.