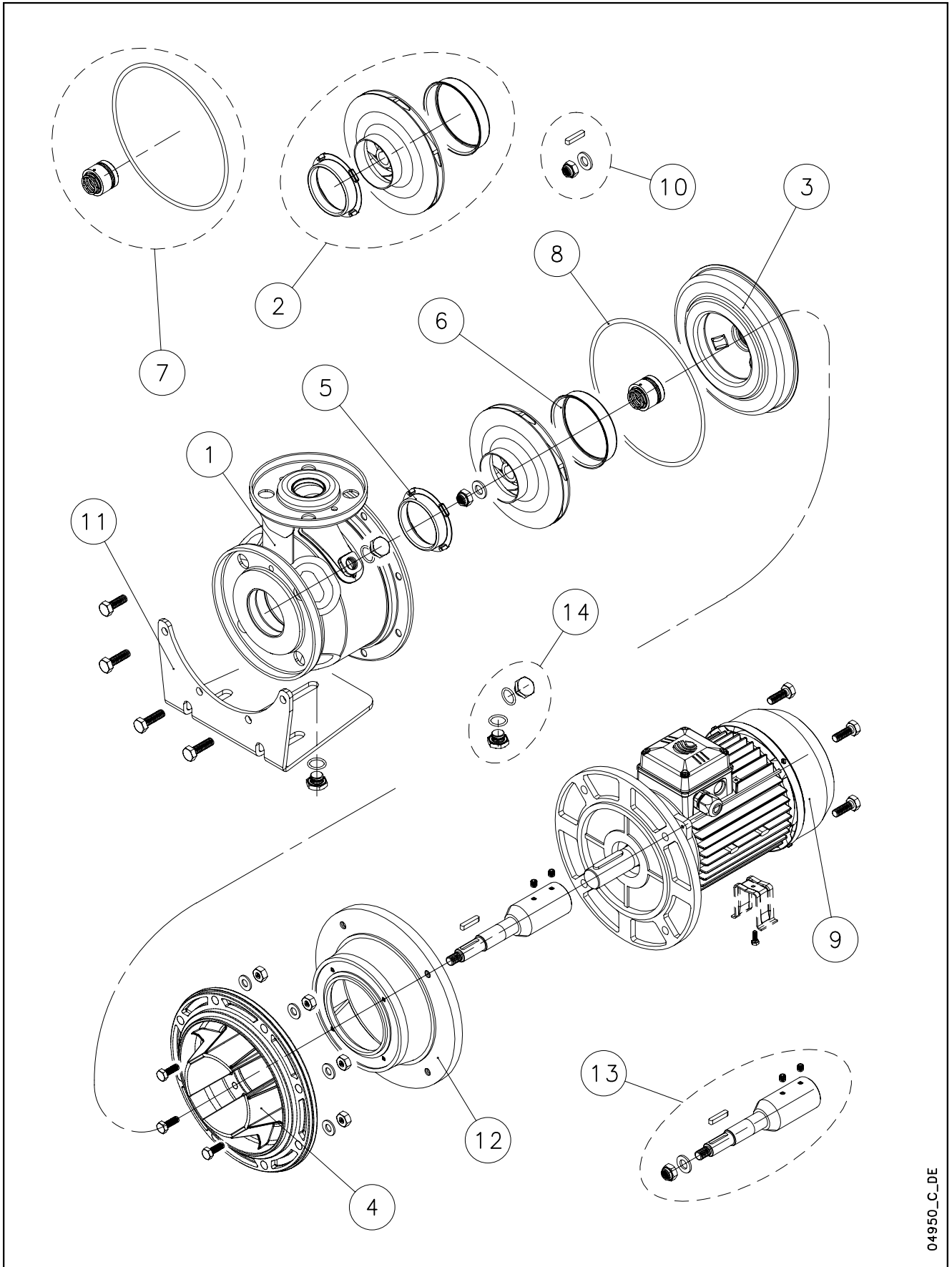


SHS - SHS4 / GSHS - GSHS4



04950_C_DE

Lowara, Vogel Pumpen are trademarks of Xylem Inc. or one of its subsidiaries.
Goulds is a registered trademark of Goulds Pumps, Inc. and is used under license.

N.	Descrizione it	Description en	Description fr	Beschreibung de	Descripción es	Descrição pt
1	Corpo pompa completo	Complete pump body	Corps de pompe complete	Kompletter pumpengehäuse	Caja bomba completa	Corpo da bomba complete
2	Girante e anelli di usura	Impeller and wear rings	Roue et anneaux d'usure	Laufrad und Verschleißringe	Rodete y anillos de desgaste	Impulsor e anéis compensadores de desgaste
3	Disco portatenuta (con anello di usura)	Seal housing disc (with wear ring)	Disque d'étanchéité (avec anneau d'usure)	Dichtungsscheibe (mit Ausgleichsring)	Disco de alojamiento retén (con anillo de desgaste)	Disco porta-vedante (com anel compensador de desgaste)
4	Lanterna	Adaptor	Lanterne	Antriebslaterne	Adaptador	Adaptador
5	Rasamento anteriore	Front wear plate	Bague pour régulation du jeu axial avant	Vordere Ausgleichsscheibe	Espesor delantero	Casquilho anterior
6	Rasamento posteriore	Back wear plate	Bague pour régulation du jeu axial arrière	Hintere Ausgleichsscheibe	Espesor trasero	Casquilho posterior
7	Tenuta meccanica e guarnizione OR	Mechanical seal and O-Ring	Garniture mécanique et joint torique	Gleitringdichtung und O-Ring	Retén mecánico y aro tórico	Vedante mecânico e vedação OR
8	Guarnizione OR	O-Ring	Joint torique	O-Ring	Aro tórico	Vedação OR
9	Motore completo	Complete motor	Moteur complet	Kompletter Motor	Motor completo	Motor complete
10	Gruppo fissaggio girante (dado, rosetta e linguetta)	Impeller locking group (nut, washer and key)	Groupe de fixation roue (ecrou, rondelle et clavette)	Befestigungsgruppe Laufrads auf (Feststellmutter, Unterlegscheibe und Passfeder)	Grupo de fijación rodete (tuerca, arandela y lengüeta)	Grupo de fixação do impulsor (porca, anilha e lingueta)
11	Piede di sostegno	Support foot	Pied d'appui	Stützfuß	Pie de soporte	Pé de apoio
12	Raccordo motore	Motor connector	Raccord moteur	Motoranschluss	Acoplamiento motor	Conexão motor
13	Giunto con gruppo fissaggio girante	Coupling with impeller locking group	Manchon avec groupe de fixation roue	Kupplung mit Befestigungsgruppe Laufrad	Junta con grupo de fijación rodete	Junta com grupo de fixação do impulsor
14	Kit tappi	Plug kit	Kit bouchons	Verschlusssschrauben-Kit	Kit tapones	Kit tampões
N.	Beschrijving nl	Περιγραφή el	Açıklama tr	Kuvaus fi	Описание ru	Opis pl
1	Compleet pomphuis	Πλήρες σώμα αντλίας	Komple pompa gövdesi	Täydellinen pumpun runko	Полный корпус насоса	Kompletny korpus pompy
2	Waaier en slijtringen	Πτερύγιο και δακτύλιοι τριβής	Pompa rotoru ve aşınma halkaları	Juoksupyörä ja kulumisrenkaat	Рабочее колесо и изнашиваемые кольца	Wirnik i pierścienie wymienne
3	Dichtingssteunplaat (met slijtring)	Δίσκος μηχανικού στυπιοθλίπτη και στρίσιος δακτύλιος τριβής	Sızdırmazlık diskisi (aşınma halkası ile)	Tiivisteenn kannatuslevy (kulumisrenkaalla)	Диск держателя прокладки (с изнашиваемым кольцом)	Tarcza uszczelki (z wymiennym pierścieniem)
4	Lantaarnstuk	Μπρακέτο	Adaptör	Sovitin	Адаптер	Lampa
5	Voorste schraapring	Πρόσθιος δακτύλιος τριβής	Ön ara halkası	Etuvälilevy	Передняя утолщающая прокладка	Wygładzanie przednie
6	Achterste schraapring	Οπίσθιος δακτύλιος τριβής	Arka ara halkası	Takavälilevy	Задняя утолщающая прокладка	Wygładzanie tylne
7	Mechanische asafdichting en O-ringafdichting	Μηχανικός στυπιοθλίπτης και ροδέλες στεγανοποίησης	Mekanik conta ve O-Ring	Mekaaninen tiiviste ja O-rengas	Механическая прокладка и уплотнение OR	Uszczelnienie mechaniczne i uszczelka O-Ring
8	O-ringafdichting	Ροδέλα στεγανοποίησης	O-Ring	O-rengas	Прокладка OR	Uszczelka O-Ring
9	Complete motor	Πλήρης κινητήρας	Komple motor	Täydellinen moottori	Укомплектованный двигатель	Kompletny silnik
10	Waaierbevestigingsblok (moer, ring en spie)	Σειτ ασφάλισης πτερυγίου (παξιμάδι, ροδέλα, σφήνα)	Pompa rotorunu sabitleme takımı (somun, rondela ve kama)	Juoksupyörän kiinnityskokonaisuus (mutteri, välirengas ja kiila)	Узел фиксации рабочего колеса (гайка, шайба и шпонка)	Zespół mocujący wirnika (nakrętka, podkładka i wpust)
11	Steunpoot	Πέλμα στήριξης	Destek ayağı	Tukijalka	Опорная ножка	Nóżka wspornikowa
12	Motorverbinding	Μπρακέτο κινητήρα	Motor bağlantı elemanı	Moottoriliitos	Патрубок двигателя	Złącza silnika
13	Koppeling met waaierbevestigingsblok	Προέκταση άξονα και σειτ ασφάλισης πτερυγίου	Pompa rotorunu sabitleme takımı ile mafsal	Liitos juoksupyörän kiinnityskokonaisuudella	Соединение с узлом фиксации рабочего колеса	Złącze z zespołem mocującym wirnika
14	Stoppenset	Σειτ ταπών	Tapa kiti	Tulppasarja	Набор пробок	Zestaw zatyczek

SHS 25 - SHS4 25

	25-125/07/C	25-125/11/C	25-160/15/C	25-160/22/C	25-200/30/P	25-200/40/P	25-250/55/P	25-250/75/P	25-250/110/P
ELP 3 ~, 2P	104330400	104330410	104330420	104330430	101290634	101290635	101290640	101290641	101290642
kw ->	0,75	1,1	1,5	2,2	3,0	4,0	5,5	7,5	11,0
							25-250/07/C	25-250/11/P	25-250/15/P
ELP 3 ~, 4P							104332300	101295710	101295720
kw ->							0,75	1,10	1,50

Kit	Dia. - Ø	119	136	150	164	188	205	222	242	256
2*	Impeller 2P	KL04AA9	KL04ABA	KL04ABB	KL04ABC	KL04ABD	KL04ABE	KL04ACK	KL04ACL	KL04ACM
	Impeller 4P							KL04ACK	KL04ACL	KL04ACM

7*	Material-->	VBVGG	Q1Q1VGG	VBEGG	Q1Q1EGG	STD -> Seal VBVGG - OR FPM						
	Mech Seal kits	KL01AA0	KL01ACN	KL01ACS	KL01ACW	2P->200/40			Seal D:22-OR 158/189/221			
		KL01AA3	KL01ACP	KL01ACT	KL01ACX	2P->250/110; 4P ->250/15			Seal D:22-OR 247/278			
8*	OR FPM Kit	KL02AAP	2P ->125/15			4P ->250/15		D:158	D:189	D:221	D:247	Incl. 2 OR
		KL02AAQ	2P ->160/22									
		KL02AAR	2P ->200/40									
		KL02AAS	2P ->250/110									
	OR EPDM Kit	KL02AAV	2P ->160/15			4P ->250/15		D:158	D:189	D:221	D:247	Incl. 3 OR
		KL02AAW	2P ->160/22									
		KL02AAX	2P ->200/40									
		KL02AAY	2P ->250/110									
10	Imp. lock kit M12	KL39AAA										
13	Coupling D18	KL10AAH	2P -> 125/11			4P -> 250/07						
		KL10AAK	2P -> 160/22			4P -> 250/15						
		KL10AAL	2P -> 200/40									
		KL10AAM	2P -> 250/75									
		KL10AAN	2P -> 250/110									
14	Fill-Drain plug FPM	KL34AAB										
	Fill-Drain plug EPDM	KL34AAC										

Single Unit, 2P

1	Pump body	151380440	151380440	151380450	151380450	151380460	151380460	151380480	151380480	151380480
11	Support foot	161401830	161401830	161401841	161401841	161401851	161401851	161401871	161401871	On Motor
3	Seal housing disc	160102000	160102000	160102010	160102010	150102220	160102020	150102230	150102230	150102230
4	Adaptor	161430100	161430100	161430110	161430110	161430210	161430210	161452440	161452440	161452440
5	Wear ring	168601491	168601491	168601491	168601491	168601491	168601491	168601491	168601491	168601491
6	Back wear ring					465020201		465020201	465020201	465020201
9	Motor 3 ~, 2P	107230520	107230530	50000RB00	50001RB00	50002RE00	50008VE00	50013VE00	50017VB00	50023VC00
	Size	80	80	90	90	90	100	112	132	160
12	Mot/connector	167350110	167350110	167350110	167350110	167350160	167350160	167350130	167350130	167350140

Single Unit, 4P

1	Pump body							151380480	151380480	151380480
11	Support foot							161401871	161401871	161401871
3	Seal housing disc							150102230	150102230	150102230
4	Adaptor							161452440	161452440	161452440
5	Wear ring							168601491	168601491	168601491
6	Back wear ring							465020201	465020201	465020201
9**	Motor 3 ~, 4P							107241510	50005RB00	50006RB00
	Size							80	90	90
12	Mot/connector							167350150	167350150	167350150

* Recommended spare parts - Parti di ricambio consigliate

* Pièces détachées conseillées - Empfohlene Ersatzteile

** Motor spare parts: see motor lists - Parti di ricambio motore: vedi liste motore

** Pièces détachées Moteur : voir listes moteur - Motor-Ersatzteile: gem. Motorlisten

SHS 32 - SHS4 32

	32-125/07/C	32-125/11/C	32-160/15/C	32-160/22/C	32-200/30/P	32-200/40/P	32-250/55/P	32-250/75/P	32-250/110/P
ELP 3 ~, 2P	104330440	104330450	104330460	104330470	101290710	101290720	101290730	101290740	101290750
kw ->	0,75	1,1	1,5	2,2	3,0	4,0	5,5	7,5	11,0
							32-250/07/C	32-250/11/P	32-250/15/P
ELP 3 ~, 4P							104332320	101295740	101295750
kw ->							0,75	1,10	1,50

Kit	Dia. - Ø	119	136	150	164	188	205	222	242	256
2*	Impeller 2P	KL04AA9	KL04ABA	KL04ABB	KL04ABC	KL04ABD	KL04ABE	KL04ACK	KL04ACL	KL04ACM
	Impeller 4P							KL04ACK	KL04ACL	KL04ACM

	Material-->	VBVGG	Q1Q1VGG	VBEGG	Q1Q1EGG	STD -> Seal VBVGG - OR FPM				
7*	Mech Seal kits	KL01AA0	KL01ACN	KL01ACS	KL01ACW	2P->200/40			Seal D:22-OR 158/189/221	
		KL01AA3	KL01ACP	KL01ACT	KL01ACX	2P->250/110; 4P ->250/15			Seal D:22-OR 247/278	
8*	OR FPM Kit	KL02AAP	2P -> 125/15			4P ->250/15			D:158	Incl. 2 OR
		KL02AAQ	2P -> 160/22							
		KL02AAR	2P -> 200/40							
		KL02AAS	2P -> 250/110							
	OR EPDM Kit	KL02AAV	2P -> 160/15			4P ->250/15			D:158	Incl. 3 OR
		KL02AAW	2P -> 160/22							
		KL02AAX	2P -> 200/40							
		KL02AAY	2P -> 250/110							
10	Imp. lock kit M12	KL39AAA								
13	Coupling D18	KL10AAH	2P -> 125/11		4P -> 250/07					
		KL10AAK	2P -> 160/22		4P -> 250/15					
		KL10AAL	2P -> 200/40							
		KL10AAM	2P -> 250/75							
		KL10AAN	2P -> 250/110							
14	Fill-Drain plug FPM	KL34AAB								
	Fill-Drain plug EPD	KL34AAC								

Single Unit, 2P

1	Pump body	151380040	151380040	151380050	151380050	151380060	151380060	151380070	151380070	151380070
11	Support foot	161401830	161401830	161401841	161401841	161401851	161401851	161401871	161401871	On Motor
3	Seal housing disc	160102000	160102000	160102010	160102010	150102220	160102020	150102230	150102230	150102230
4	Adaptor 2P	161430100	161430100	161430110	161430110	161430210	161430210	161452440	161452440	161452440
5	Wear ring	168601491	168601491	168601491	168601491	168601491	168601491	168601491	168601491	168601491
6	Back wear ring					465020201		465020201	465020201	465020201
9**	Motor 3 ~, 2P	107230520	107230530	50000RB00	50001RB00	50002RE00	50008VE00	50013VE00	50017VB00	50023VC00
	Size	80	80	90	90	90	100	112	132	160
12	Mot/connector	167350110	167350110	167350110	167350110	167350160	167350160	167350130	167350130	167350140

Single Unit, 4P

1	Pump body							151380070	151380070	151380070
11	Support foot							161401871	161401871	161401871
3	Seal housing disc							150102230	150102230	150102230
4	Adaptor							161452440	161452440	161452440
5	Wear ring							168601491	168601491	168601491
6	Back wear ring							465020201	465020201	465020201
9**	Motor 3 ~, 4P							107241510	50005RB00	50006RB00
	Size							80	90	90
12	Mot/connector							167350150	167350150	167350150

* Recommended spare parts - Parti di ricambio consigliate

* Pièces détachées conseillées - Empfohlene Ersatzteile

** Motor spare parts: see motor lists - Parti di ricambio motore: vedi liste motore

** Pièces détachées Moteur : voir listes moteur - Motor-Ersatzteile: gem. Motorlisten

SHS_32-80_5_June11_EdB

SHS 40 - SHS4 40

	40-125/11/C	40-125/15/C	40-125/22/C	40-160/30/P	40-160/40/P	40-200/55/P	40-200/75/P	40-250/110A/P	40-250/110/P	40-250/150/P
ELP3~,2P	104330500	104330510	104330520	101290810	101290820	101290830	101290840	101290850	101290860	101290870
kW->	1,1	1,5	2,2	3,0	4,0	5,5	7,5	11,0	11,0	15,0
ELP3~,4P						40-200/07/C	40-200/11/P	40-250/11/P	40-250/15/P	40-250/22/P
kW->						104332340	101295840	101295850	101295860	101295870
						0,75	1,1	1,1	1,5	2,2

Kit	Dia. - Ø	112	126	143	159	171	190	209	218	233	251
2*	Impeller 2P	KL04ABF	KL04ABG	KL04ABH	KL04ABK	KL04ABL	KL04ABM	KL04ABN	KL04ABP	KL04ABQ	KL04ABR
	Impeller 4P						KL04ABM	KL04ABN	KL04ABP	KL04ABQ	KL04ABR

7*	Material->	VBVGG	Q1Q1VGG	VBEGG	Q1Q1EGG	STD -> Seal VBVGG - OR FPM				
	Mech Seal kits	KL01AA0	KL01ACN	KL01ACS	KL01ACW	2P->200/75;4P->200/11			Seal D:22 - OR 158/189/221	
		KL01AA3	KL01ACP	KL01ACT	KL01ACX	2P->250/110;4P->250/15			Seal D:22 - OR 247/278	
		KL01ACL	KL01ACQ	KL01ACU	KL01ACY	2P-250/150;4P-250/22			Seal D:28 - OR 247/278	
8*	OR FPM Kit	KL02AAP	2P->125/22					D:158		
		KL02AAQ	2P->160/40					D:189		
		KL02AAR	2P->200/75		4P->200/11			D:221		
		KL02AAT	2P->250/150		4P->250/22			D:278 Incl. 2 OR		
	OR EPDM Kit	KL02AAV	2P->125/22					D:158		
		KL02AAW	2P->160/40					D:189		
		KL02AAX	2P->200/75		4P->200/11			D:221		
		KL02AAZ	2P->250/150		4P->250/22			D:278 Incl. 3 OR		
10	Imp.lock kit D:12	KL39AAA	2P->250/110; 4P->250/15							
	Imp.lock kit D:16	KL39AAB	2P: 250/150; 4P: 250/22							
13	Coupling D:18	KL10AAH	2P->125/11		4P->200/07					
		KL10AAK	2P->125/22		4P->250/15					
		KL10AAL	2P->160/40							
		KL10AAM	2P->200/75							
		KL10AAN	2P->250/110							
	Coupling D:24	KL10AAQ			4P -250/22					
		KL10AAS	2P -250/150							
14	Fill-Drainplug FPM	KL34AAB								
	Fill-Drainplug EPDM	KL34AAC								

Single Unit, 2P

1	Pump body	151380080	151380080	151380080	151380090	151380090	151380100	151380100	151380110	151380110	151380110
11	Support foot	161401831	161401831	161401831	161405710	161405710	161401851	161401851	On Motor	On Motor	On Motor
3	Seal-housing disc	160102040	160102040	160102040	150102210	150102210	150102220	150102220	150102230	150102230	150102271
4	Adaptor	161430100	161430100	161430100	161430160	161430160	161430210	161430210	161452440	161452440	161452440
5	Wear ring	168601500	168601500	168601500	168601500	168601500	168601500	168601500	168601511	168601511	168601511
6	Back wear ring				465020201	465020201	465020201	465020201	465020201	465020201	465020201
9**	Motor 3~,2P	107230530	50000RB00	50001RB00	50002RE00	50008VE00	50013VE00	50017VB00	50023VC00	50023VC00	50024VC00
	Size	80	90	90	90	100	112	132	160	160	160
12	Mot/connector	167350110	167350110	167350110	167350120	167350120	167350130	167350130	167350140	167350140	167350140

Single Unit, 4P

1	Pump body						151380100	151380100	151380110	151380110	151380110
11	Support foot						161401851	161401851	161401871	161401871	161401871
3	Seal-housing disc						150102220	150102220	150102230	150102230	150102271
4	Adaptor						161430210	161430210	161452440	161452440	161452440
5	Wear ring						168601500	168601500	168601511	168601511	168601511
6	Back wear ring						465020201	465020201	465020201	465020201	465020201
9**	Motor 3~,4P						107241510	50005RB00	50005RB00	50006RB00	50010RB00
	Size						80	90	90	90	90
12	Mot/connector						167350150	167350150	167350150	167350150	167350160

* Recommended spare parts - Parti di ricambio consigliate

* Pièces détachées conseillées - Empfohlene Ersatzteile

** Motor spare parts: see motor lists - Parti di ricambio motore: vedi liste motore

** Pièces détachées Moteur : voir listes moteur - Motor-Ersatzteile: gem. Motorlisten

SHS_32-80_5_June11_EdB

SHS 50 - SHS4 50

	50-125/22/C	50-125/30/P	50-125/40/P	50-160/55/P	50-160/75/P	50-200/110A/P	50-200/110/P	50-250/150/P	50-250/185/P	50-250/220/P
ELP 3 ~, 2P	104330530	101290910	101290920	101290930	101290940	101290950	101290960	101290970	101290980	101290990
kW->	2,2	3,0	4,0	5,5	7,5	11,0	11,0	15,0	18,5	22,0
				50-160/07/C	50-160/11/P	50-200/11/P	50-200/15/P	50-250/22A/P	50-250/22/P	50-250/30/P
ELP3~, 4P				104332360	101295940	101295950	101295960	101295970	101295980	101295990
kW->				0,75	1,1	1,1	1,5	2,2	2,2	3,0

Kit	Dia. - Ø	119	130	139	158	174	197	209	224	237	250
2*	Impeller 2P	KL04ABS	KL04ABT	KL04ABU	KL04ABV	KL04ABW	KL04ABX	KL04ABY	KL04ABZ	KL04AB0	KL04AB1
	Impeller 4P				KL04ABV	KL04ABW	KL04ABX	KL04ABY	KL04ABZ	KL04AB0	KL04AB1

7*	Material-->	VBVGG	Q1Q1VGG	VBEGG	Q1Q1EGG	STD -> Seal VBVGG - OR FPM				
	Mech Seal kits	KL01AA0	KL01ACN	KL01ACS	KL01ACW	2P -> 160/75; 4P -> 160/11			Seal D:22-OR 158/189/221	
		KL01AA3	KL01ACP	KL01ACT	KL01ACX	2P -> 200/110; 4P -> 200/15			Seal D:22-OR 247/278	
		KL01ACL	KL01ACQ	KL01ACU	KL01ACY	2P -> 250/220; 4P -> 250/30			Seal D:28-OR 247/278	
8*	OR FPM Kit	KL02AAQ	2P -> 160/75		4P -> 160/11		D: 189			
		KL02AAS	2P -> 200/110		4P -> 200/15		D: 247			
		KL02AAT	2P -> 250/220		4P -> 250/30		D: 278		Incl. 2 OR	
	OR EPDM Kit	KL02AAW	2P -> 160/75		4P -> 160/11		D: 189			
		KL02AAY	2P -> 200/110		4P -> 200/15		D: 247			
		KL02AAZ	2P -> 250/220		4P -> 250/30		D: 278		Incl. 3 OR	
10	Imp.lock kit M12	KL39AAA	2P->200/110; 4P->200/15							
	Imp.lock kit M16	KL39AAB	2P ->250/220; 4P->250/30							
13	Coupling D:18	KL10AAH			4P - 160/07					
		KL10AAK	2P - 125/22		4P -> 200/15					
		KL10AAL	2P -> 125/40							
		KL10AAM	2P -> 160/75							
		KL10AAN	2P -> 200/110							
	Coupling D:24	KL10AAQ			4P -> 250/30					
		KL10AAS	2P -> 250/185							
		KL10AAT	2P - 250/220							
14	Fill-Drain plug FPM	KL34AAB								
	Fill-Drain plug EPDM	KL34AAC								

Single Unit, 2P

1	Pump body	151380120	151380120	151380120	151380130	151380130	151380140	151380140	151380150	151380150	151380150
11	Support foot	161405710	161405710	161405710	161401841	161401841	On Motor	On Motor	On Motor	On Motor	On Motor
3	Seal housing disc	150102280	150102280	150102280	150102280	150102280	150102300	150102300	150102271	150102271	150102271
4	Adaptor	161430110	161430160	161430160	161430200	161430200	161452430	161452430	161452440	161452440	161452440
5	Wear ring	168601511	168601511	168601511	168601511	168601511	168601511	168601511	168601511	168601511	168601511
6	Back wear ring	465020201	465020201	465020201	465020201	465020201	465020201	465020201	465020201	465020201	465020201
9**	Motor 3~,2P	50001RB00	50002RE00	50008VE00	50013VE00	50017VB00	50023VC00	50023VC00	50024VC00	50025VC00	50026VM00
	Size	90	90	100	112	132	160	160	160	160	160
12	Mot/connector	167350110	167350120	167350120	167350130	167350130	167350140	167350140	167350140	167350140	167350140

Single Unit, 4P

1	Pump body				151380130	151380130	151380140	151380140	151380150	151380150	151380150
11	Support foot				161401841	161401841	161401891	161401891	161401871	161401871	161401871
3	Seal housing disc				150102280	150102280	150102300	150102300	150102271	150102271	150102271
4	Adaptor				161430110	161430110	161452430	161452430	161452440	161452440	161452440
5	Wear ring				168601511	168601511	168601511	168601511	168601511	168601511	168601511
6	Back wear ring				465020201	465020201	465020201	465020201	465020201	465020201	465020201
9**	Motor 3~,4P				107241510	50005RB00	50005RB00	50006RB00	50010RB00	50010RB00	50011RB00
	Size				80	90	90	90	100	100	100
12	Mot/connector				167350110	167350110	167350150	167350150	167350160	167350160	167350160

* Recommended spare parts - Parti di ricambio consigliate

* Pièces détachées conseillées - Empfohlene Ersatzteile

** Motor spare parts: see motor lists - Parti di ricambio motore: vedi liste motore

** Pièces détachées Moteur : voir listes moteur - Motor-Ersatzteile: gem. Motorlisten

SHS 65 - SHS4 65

ELP. 3--, 2P	65-160/40/P	65-160/55/P	65-160/75/P	65-160/110A/P	65-160/110/P	65-200/150/P	65-200/185/P	65-200/220/P	65-250/300	65-250/370
	101291020	101291030	101291040	101291050	101291070	101291090	101291100	101291110	104330600	104330610
kw ->	4,0	5,5	7,5	11,0	11,0	15,0	18,5	22,0	30,0	37,0
ELP. 3--, 4P	65-160/05	65-160/07/C	65-160/11A/P	65-160/11/P	65-160/15/P	65-200/15/P	65-200/22/P	65-200/30/P	65-250/40/P	65-250/55/P
	107420980	104332380	101296040	101296050	101296070	101296090	101296100	101296110	101296140	101296150
kw ->	0,55	0,75	1,1	1,1	1,5	1,5	2,2	3,0	4,0	5,5

Kit	Dia. - Ø	119	129	137 - 140	168	177	192 - 187	203	215 - 222	240	255
2*	Impeller 2P	KL04AEC	KL04AB3	KL04AEE	KL04AEF	KL04AEG	KL04AEH	KL04AEK	KL04AEL	KL04ALU	KL04ALK
	Impeller 4P	KL04AEC	KL04AB3	KL04AB4	KL04AEF	KL04AEG	KL04ALF	KL04AEK	KL04ALG	KL04ALU	KL04ALK

7*	Material-->	VBVGG	Q1Q1VGG	VBEGG	Q1Q1EGG	STD -> Seal VBVGG - OR FPM				
	Mech Seal kits	KL01AA3	KL01ACP	KL01ACT	KL01ACX	2P->160/110A, 4P->160/11			Seal D:22-OR 247/278	
		KL01ACL	KL01ACQ	KL01ACU	KL01ACY	2P->200/220, 4P->200/30			Seal D:28-OR 247/278	
		KL01ACM	KL01ACR	KL01ACV	KL01ACZ	2P->250/370, 4P->250/55			Seal D:33-OR 278/304	
8*	OR FPM Kit	KL02AAS	2P -> 200/220		4P -> 200/30		D: 247		Incl. 2 OR	
		KL02AAT	2P -> 250/370		4P -> 250/55		D: 278			
	OR EPDM Kit	KL02AAY	2P -> 200/220		4P -> 200/30		D: 247		Incl. 3 OR	
		KL02AAZ	2P -> 250/370		4P -> 250/55		D: 278			
10	Imp.lock kit M12	KL39AAA	2P -> 160/92; 4P->160/11							
	Imp.lock kit M16	KL39AAB	2P ->200/220; 4P->200/30							
	Imp.lock kit M20	KL39AAC	2P ->250/370; 4P->250/55							
13	Coupling D:18	KL10AAH			4P ->160/07					
		KL10AAK			4P ->160/11					
		KL10AAL	2P - 160/40							
		KL10AAM	2P ->160/75							
		KL10AAN	2P - 160/110A							
	Coupling D:24	KL10AAP			4P ->200/15					
		KL10AAQ			4P ->200/30					
		KL10AAS	2P ->200/185							
		KL10AAT	2P - 200/220							
	Coupling D:29	KL10AAV			4P - 250/40					
		KL10AAW	2P ->250/370		4P - 250/55					
14	Fill-Drain plug FPM	KL34AAB	->65/160							
	Fill-Drain plug EPDM	KL34AAC	->65/160							
	Fill-Drain plug FPM	KL34AAD	->65/250							
	Fill-Drain plug EPDM	KL34AAE	->65/250							

Single Unit, 2P

1	Pump body	151380160	151380160	151380160	151380170	151380170	151380180	151380180	151380180	151380190	151380190
11	Support foot	161401891	161401891	161401891	On Motor	On Motor	On Motor	On Motor	On Motor	On Motor	On Motor

3	Seal-housing disc	160102120	160102120	160102120	160102120	150102331	150102331	150102331	150102331	150102352	150102352
4	Adaptor	161452430	161452430	161452430	161452430	161452430	161452430	161452430	161452430	161452910	161452910
5	Wear ring	168601521	168601521	168601521	168601600	168601600	168601600	168601600	168601600	168601600	168601600
6	Back wear ring				168601280	168601280	168601280	168601280	168601280	168601280	168601280
9**	Motor 3--,2P	50008VE00	50013VE00	50017VB00	50023VC00	50023VC00	50024VC00	50025VC00	50026VM00	107242110	107242210
	Size	100	112	132	160	160	160	160	160	200	200
12	Mot/connector	167350160	167350130	167350130	167350140	167350140	167350140	167350140	167350140	167350200	167350200

Single Unit, 4P

1	Pump body	151380160	151380160	151380160	151380170	151380170	151380180	151380180	151380180	151380190	151380190
11	Support foot	161401891	161401891	161401891	161401891	161405810	161405810	161405810	161405730	161405730	161405730

3	Seal-housing disc	160102120	160102120	160102120	160102120	150102331	150102331	150102331	150102331	150102352	150102352
4	Adaptor	161452430	161452430	161452430	161452430	161452430	161452430	161452430	161452430	161452910	161452910
5	Wear ring	168601521	168601521	168601521	168601600	168601600	168601600	168601600	168601600	168601600	168601600
6	Back wear ring				168601280	168601280	168601280	168601280	168601280	168601280	168601280
9**	Motor 3--,4P	107230740	107241510	50005RB00	50005RB00	50006RB00	50006RB00	50010RB00	50011RB00	50015VB00	50020VB00
	Size		80	90	90	90	90	100	100	112	132
12	Mot/connector	167350150	167350150	167350150	167350150	167350150	167350150	167350160	167350160	167350160	167350130

* Recommended spare parts - Parti di ricambio consigliate

* Pièces détachées conseillées - Empfohlene Ersatzteile

** Motor spare parts: see motor lists - Parti di ricambio motore: vedi liste motore

** Pièces détachées Moteur : voir listes moteur - Motor-Ersatzteile: gem. Motorlisten

SHS 80 - SHS4 80

ELP 3 ~, 2P	80-160/110/P	80-160/150/P	80-160/185/P	80-200/220/P	80-200/300	80-200/370				
	101291170	101291180	101291190	101291220		104330640	104330650			
KW ->	11,0	15,0	18,5	22,0		30,0	37,0			
ELP 3 ~, 4P	80-160/15/P	80-160/22A/P	80-160/22/P	80-200/30/P	80-200/40/P			80-250/55/P	80-250/75/P	80-250/110/P
	101296170	101296180	101296190	101296200	101296210			101296260	101296270	101296280
KW ->	1,5	2,2	2,2	3,0	4,0			5,5	7,5	11

Kit	Dia. - Ø	169	177	186	198	220	215	226	237	252	270
2*	Impeller, 2P	KL04ALL	KL04ALM	KL04ALN	KL04ALP		KL04AL0	KL04AL1			
	Impeller, 4P	KL04ALL	KL04ALM	KL04ALN	KL04ALP	KL04ALQ			KL04ALR	KL04ALS	KL04ALT

7*	Material-->	VBVGG	Q1Q1VGG	VBEGG	Q1Q1EGG	STD -> Seal VBVGG - OR FPM					
Mech Seal kits		KL01ACL	KL01ACQ	KL01ACU	KL01ACY	2P->200/220, 4P->200/40				Seal D:28-OR 247/278	
		KL01ACM	KL01ACR	KL01ACV	KL01ACZ	2P->200/370, 4P->250/92				Seal D:33-OR 278/304	
8*	OR FPM Kit	KL02AAT	2P -> 200/370		4P -> 200/40		D: 278				
		KL02AAU			4P -> 250/92		D: 304 Incl. 2 OR				
OR EPDM Kit		KL02AAZ	2P -> 200/370		4P -> 200/40		D: 278				
		KL02AA0			4P -> 250/92		D: 304 Incl. 3 OR				
13	Coupling D:24	KL10AAP			4P -160/15						
		KL10AAQ			4P ->200/40						
		KL10AAS	2P ->160/185								
	Coupling D:29	KL10AAT	2P - 200/220								
		KL10AAV			4P ->250/75						
		KL10AAW	2P ->200/370								
10	Imp.lock kit M16	KL39AAB	2P->200/220; 4P->200/40								
	Imp.lock kit M20	KL39AAC	2P->200/370; 4P->250/92								
14	Fill-Drain plug FPM	KL34AAD	All Versions (->65/250)								
	Fill-Drain plug EPDM	KL34AAE	All Versions (->65/250)								

Single Unit, 2P

1	Pump body	151380210	151380210	151380210	151380220		151380220	151380220
11	Support foot	On Motor	On Motor	On Motor	On Motor		On Motor	On Motor

3	Seal-housing disc	150102371	150102371	150102371	150102371		150102382	150102382
4	Adaptor	161452910	161452910	161452910	161452910		161452910	161452910
5	Wear ring	168601610	168601610	168601610	168601610		168601610	168601610
6	Back wear ring	168601280	168601280	168601280	168601280		168601280	168601280
9**	Motor 3 ~, 2P	50023VC00	50024VC00	50025VC00	50026VM00		107242110	107242210
	Size	160	160	160	160		200	200
12	Mot/connector	167350140	167350140	167350140	167350140		167350200	167350200

Single Unit, 4P

1	Pump body	151380210	151380210	151380210	151380220	151380220		151380230	151380230	151380230
11	Support foot	161401871	161401871	161401871	161401871	161401871		161401971	161401971	161401971

3	Seal-housing disc	150102371	150102371	150102371	150102371	150102371		150102392	150102392	150102392
4	Adaptor	161452910	161452910	161452910	161452910	161452910		161452480	161452480	161452480
5	Wear ring	168601610	168601610	168601610	168601610	168601610		168601610	168601610	168601610
6	Back wear ring	168601280	168601280	168601280	168601280	168601280		168601280	168601280	168601280
9**	Motor 3 ~, 4P	50006RB00	50010RB00	50010RB00	50011RB00	50015VB00		50020VB00	50021VB00	50027VC00
	Size	90	100	100	100	112		132	132	160
12	Mot/connector	167350150	167350160	167350160	167350160	167350160		167350130	167350130	167350130

* Recommended spare parts - Parti di ricambio consigliate

* Pièces détachées conseillées - Empfohlene Ersatzteile

** Motor spare parts: see motor lists - Parti di ricambio motore: vedi liste motore

** Pièces détachées Moteur : voir listes moteur - Motor-Ersatzteile: gem. Motorlisten