

Twin Impeller Cast Iron Jet Pumps

CAM Series - Shallow Well



The Speroni CAM self-priming jet pumps are built for applications where the water source suction lift is up to 9 metres. The CAM range is suitable for tank, well, river or dam applications. European build quality ensures high performance in the toughest environments.



Materials of Construction

- Pump body: Cast iron
- Motor support: Cast iron
- Impellers: Noryl
- Ejector (P30): Cast iron
- Shaft with rotor: Stainless steel AISI 304
- Mechanical seal: Ceramic/Graphite/NBR

Operating Conditions

- Maximum liquid temperature: 35°C
- Ambient temperature: Up to 40°C
- Total suction lift: Up to 9 mt
- Continuous duty

Motor

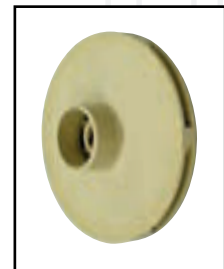
- Single-phase 240V-50Hz
- Two-Pole induction motor (2850 RPM)
- Insulation Class F
- Protection IP 55

Applications

- Domestic rainwater supply
- Industrial water supply
- Stock water supply
- Dairy washdown
- Irrigation
- Water transfer
- Pressure boosting

Key Features

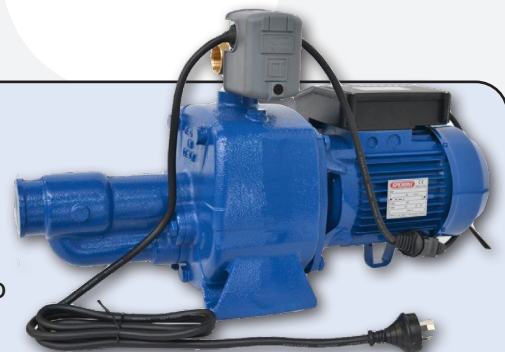
- Twin impeller design
- Robust cast iron pump casing
- 240V 1-phase IP55 motor - made in Italy
- Inbuilt thermal protection
- Deep well injector
- Plug and Play leads
- Available as a pressure system or as a standalone bare pump
- 2 year warranty



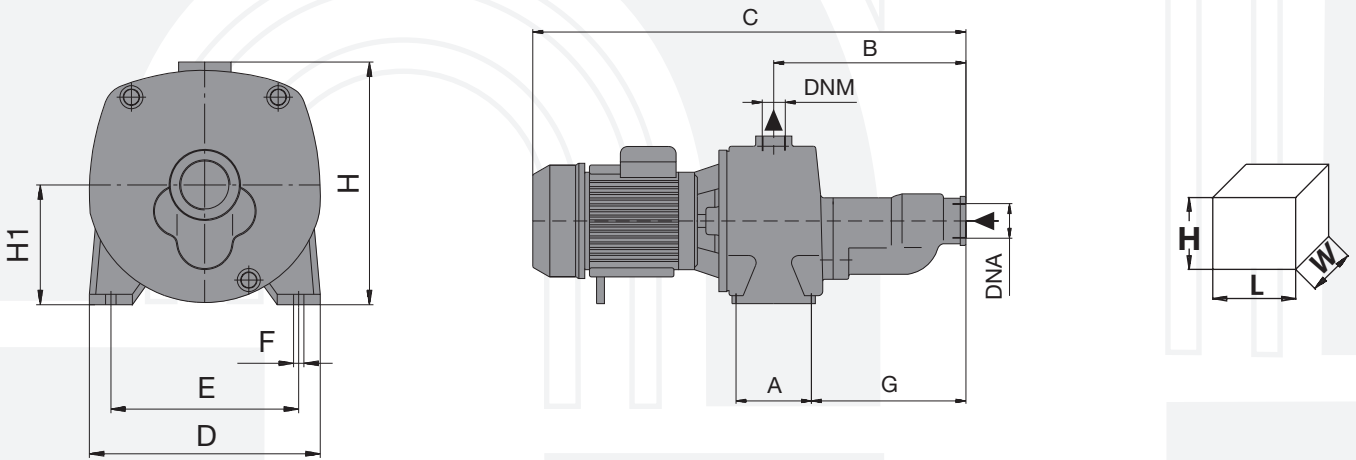
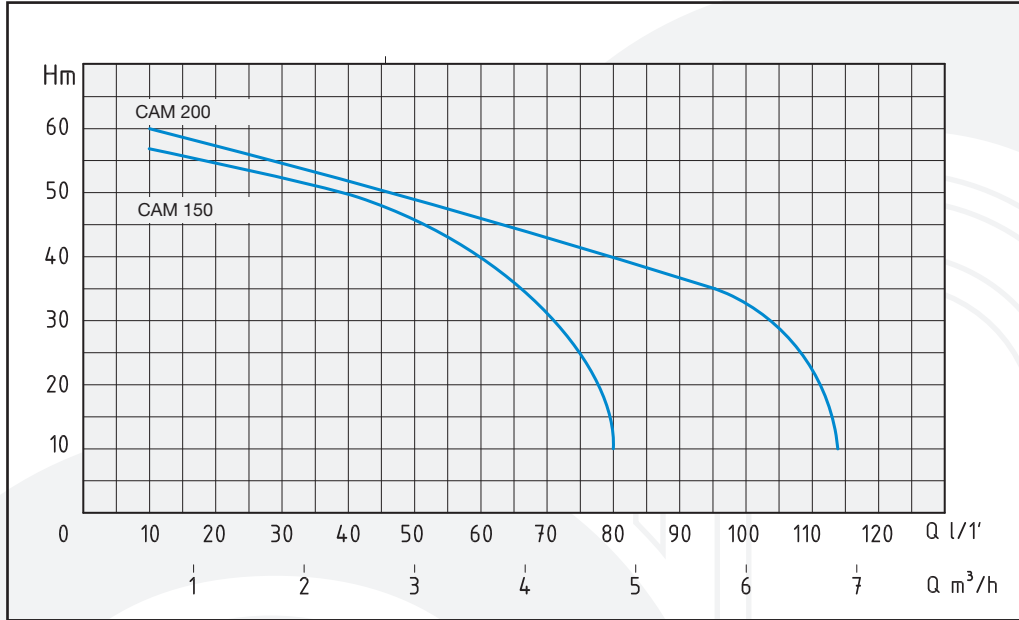
Twin Impeller

Also available as a pressure system

Pressure system includes either 8L or 18L pressure tank, pressure switch, pressure gauge and 5 way tee. Also available with the PresFlo PF1622 pressure controller or as a standalone bare pump.



Model	Nominal Power		Input Power	Amps	Q = Capacity										
	HP	kW	kW		m ³ /h	0,6	1,2	1,8	2,4	3	3,6	4,2	4,8	5,4	6
Single-phase	P2		P1	Single-phase	lt/1'	10	20	30	40	50	60	70	80	90	100
	Total head in meters w.c														
CAM 150	1,5	1,1	1,5	7	H (m)	58	55	52	49	45	40	30	10		
CAM 200	2	1,5	2,5	12	H (m)	60	57	55	52	49	45	43	40	38	34



Model	Dimensions mm											Dimensions mm			Weight Kg
	A	B	C	D	E	F	G	H	H1	DNA	DNM	W	L	H	
Single-phase															
CAM 150	104	265	605	220	172	10	212	240	115	1" ½	1"	234	606	280	29.8
CAM 200	104	265	605	220	172	10	212	240	115	1" ½	1"	234	606	280	30.8

Dealer Details