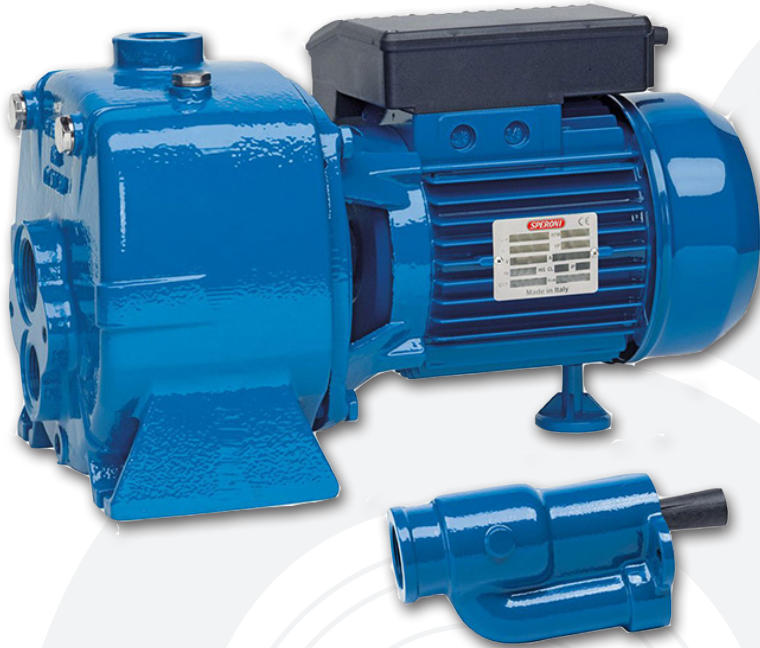


Twin Impeller Cast Iron Jet Pumps

APM Series - Deep Well



The Speroni APM deep well jet pumps are built for applications where the water source suction lift is beyond 7 metres. The APM range is suitable for deep well, river or dam applications. European build quality ensures high performance in the toughest environments.



Applications

- Domestic rainwater supply
- Industrial water supply
- Stock water supply
- Dairy washdown
- Irrigation
- Water transfer
- Pressure boosting

Key Features

- Twin impeller design
- Robust cast iron pump casing
- 240V 1-phase IP55 motor - made in Italy
- Inbuilt thermal protection
- Deep well injector
- Plug and Play leads
- Available as a pressure system or as a standalone bare pump
- 2 year warranty

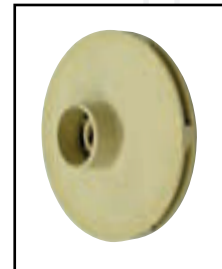
Materials of Construction

- Pump body: Cast iron
- Motor support: Cast iron
- Impellers: Noryl
- Ejector (P30): Cast iron
- Shaft with rotor: Stainless steel AISI 304
- Mechanical seal: Ceramic/Graphite/NBR

Operating Conditions

- Maximum liquid temperature: 35°C
- Ambient temperature: Up to 40°C
- Total suction lift: Up to 50m
- Continuous duty

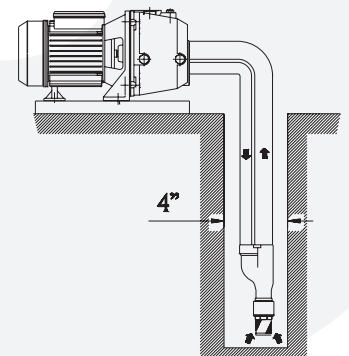
The APM cast iron jet pumps operate with a separate injector system that allows the pump to become a self-priming deep well pumping system. Placing the injector on the end of the suction pipe and installing a water recirculation pipe to the injector allows for water to be passed through the injector creating a venturi (suction) effect. This allows for enough pressure to be created and therefore, takes water back to the surface. The maximum suction lift created is 50 metres and a well diameter of at least 100mm (4") is required.



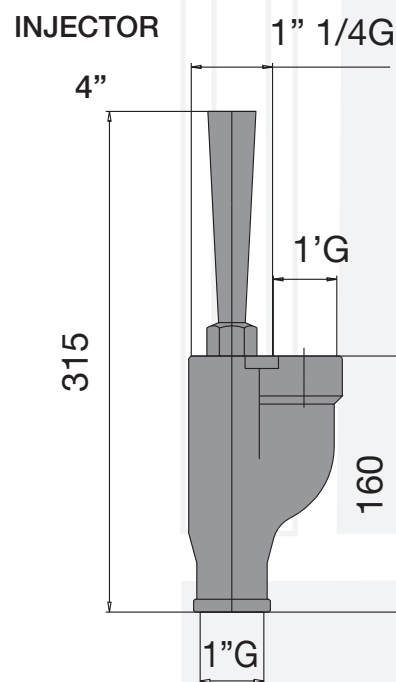
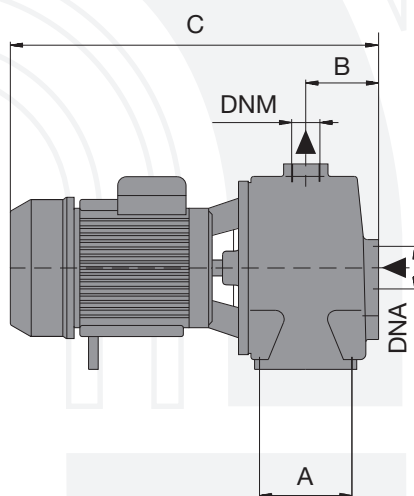
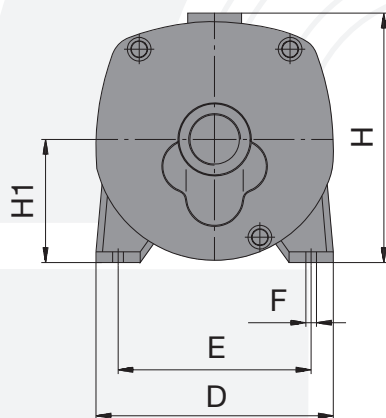
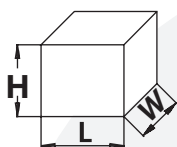
Motor

Twin Impeller

- Single-phase 240V-50Hz
- Two-Pole induction motor (2850 RPM)
- Insulation Class F
- Protection IP55



Model	Nominal Power		Input Power	Amps			Q = Capacity								
	P2		P1	Single-phase	Injector	Suction depth m	m³/h	0,18	0,36	0,6	0,9	1,2	1,5	1,8	2,1
Single-phase	HP	kW	kW				lt/1'	3	6	10	15	20	25	30	35
								<i>Total head in meters w.c</i>							
APM 150	1,5	1,1	1,5	7	P 20	15	48	47	43	39	34,5	30,5	28,5	7,5	
						20	43	42	38	34	29,5	25,5	23,5	2,5	
						25	38	37	33	29	24,5	20,5	18,5		
						P 30	35	61	57	51	43	36,5	14,5		
							40	56	52	46	38	31,5	9,5		
							50	46	42	36	28	21,5			
APM 200	2	1,5	2	9,3	P 20	15	67	65	60	55	51,5	46,5	45,5		
						20	62	60	55	50	46,5	41,5	40,5		
						25	57	55	50	45	41,5	36,5	35,5		
					P 30	35	68	62	57	49	43,5	14,5			
						40	63	57	52	44	38,5	9,5			
						50	53	47	42	34	28,5				



Model	Dimensions mm										Dimensions mm			Weight Kg
	A	B	C	D	E	F	H	H1	DNA	DNM	W	L	H	
Single-phase	A	B	C	D	E	F	H	H1	DNA	DNM	W	L	H	Kg
APM 150	104	77	415	220	172	10	240	115	1" ¼	1"	236	500	275	27.9
APM 200	104	77	415	220	172	10	240	115	1" ¼	1"	236	500	275	29.5

Dealer Details