

SUBMERSIBLE DEWATERING PUMP HIGH CAPACITY SERIES

Powerful to Meet Any Tough Jobs.

- 1) Discharge Dia. : 150 — 350mm
- 2) Total Head : 10 — 33m
- 3) Capacity : 2 — 14m³/min
- 4) Motor Output : 11 — 55kW

SUPER POWERFUL, EFFICIENT, DEPENDABLE!

These models are especially designed to be used for major dewatering jobs, particularly when bigger Volume of water is required to be handled.

They have extremely high capacity and are excellent in heavy-duty oriented conditions.

APPLICATIONS :

Drainage out of Sumps, Pits, Quarries, Minings, Cellars,
Dams, Harbour & Agricultural Irrigation Projects,
Tunnels, Caisson Dewaterings, Reclaiming Operations, Power Station Constructions,
Waste, Storm or Emergency Water Removal, Contractors & Rental Companies, etc.



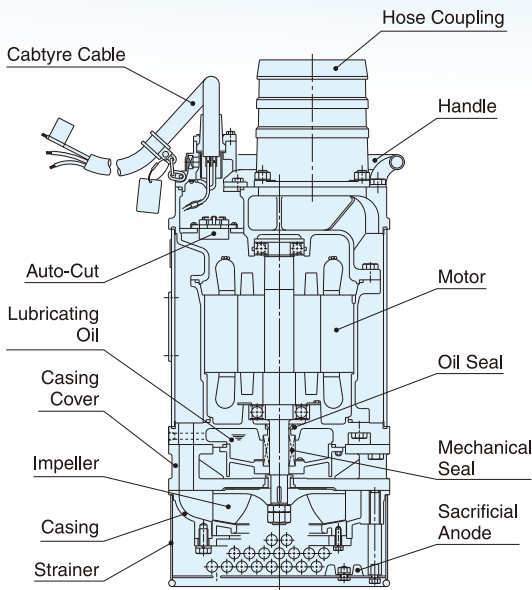
Sakuragawa will provide you with comfortable environment.

SAKURAGAWA

DEWATERING PUMP HIGH CAPACITY SERIES

CUT-AWAY SECTION

U-4158A



MOTOR PROTECTOR

Incorporating MINIATURE THERMAL PROTECTOR (MTP) and INFILTRATIVE WATER DETECTOR (WD) in the pump body protect the motor from electric and mechanical troubles. Both in combination with the operating panel (at extra cost) equipped with ELECTROMAGNETIC CONTACTOR (MC). INFILTRATIVE WATER DETECTOR RELAY SET (WD-X) and THERMAL RELAY, the pump assures perfect and safety-minded motor protection. In case water infiltrates the motor housing or the temperature in the motor winding rises to a set maximum, the WD fitted immediately beneath the motor compartment or the MTP activates the MC by way of WD-X or THR in order to cut off the electric supply to the motor. U-4158A, U-4208, and U-4308 built-in "Auto-Cut", auto-reset type thermal protector, are equipped to guard the motor against presumable electric and thermal troubles at your work-sites. U-4306D, U-43010B, and U-4308 are equipped with "Auto-Cut" for voltage 200-220V only.

MOTOR

The motors are well designed and selected to demonstrate higher motor efficiency and torque. By the same token, six pole motors are employed for U-65014B while four pole motors are used for other models to meet the required high capacity. The motors are well designed to demonstrate higher motor efficiency and torque.

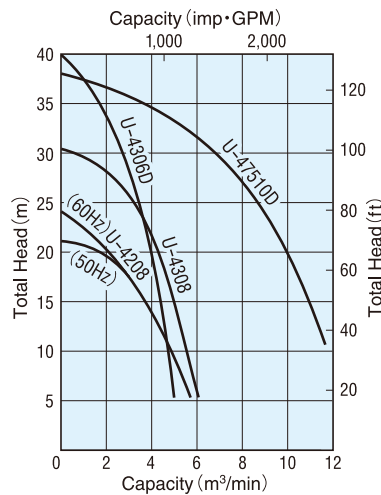
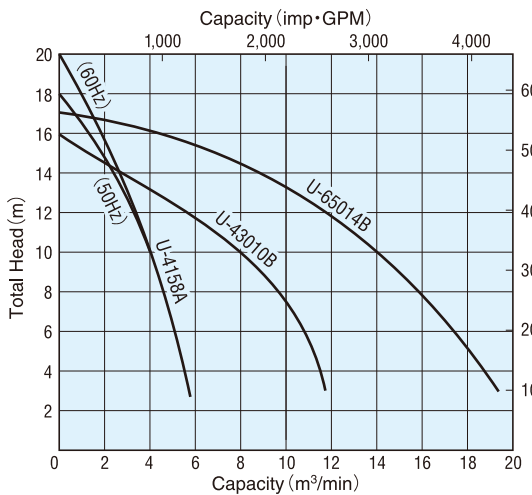
SHAFT SEAL

Double type Mechanical Seals cooled and lubricated in the oil bath are provided to ensure reliable sealing effect and steady services at heavy-duty dewatering sites.

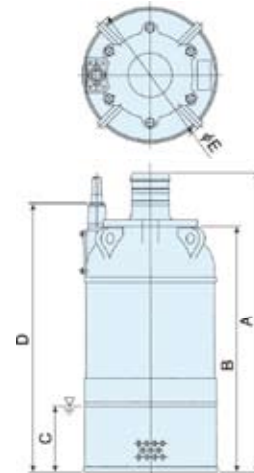
IMPELLER & CASING

The open type impeller made of hardened High Chrome Alloy and housed in a heavy gauge body gives high efficiency in pumping performance in combination with assorted casing on one hand and provides admirable resistance in the water containing abrasive solid particles on the other.

PERFORMANCE CURVES



DIMENSIONS



SPECIFICATIONS

Models	Discharge Dia.		Motor Output		Head		Capacity		Dimensions (mm)					Cable Length		Weight (w/o Cable)	
	mm	in	kW	HP	m	ft	m³/min	imp·GPM	A	B	C	D	E	m	ft	kg	lbs
U-4158A	200	8	11	15	10	33	4	880	940	—	250	805	455	10	33	177	390
U-4208	200	8	15	20	14	46	4	880	975	—	250	805	455	10	33	227 *(212)	501 *(467)
U-4306D	150	6	22	30	33	108	2	440	1,130	—	250	1,015	540	10	33	365	805
U-4308	200	8	22	30	22 15	66 45	4 5	880 1,100	1,158	—	250	1,015	540	10	33	440	968
U-43010B	250	10	22	30	10	33	8	1,760	—	1,000	350	1,085	540	10	33	355	783
U-65014B	350	14	37	50	10	33	14	3,080	—	1,310	400	1,475	670	10	33	700	1,544
U-47510D	250	10	55	75	27	89	8	1,760	—	1,270	350	1,435	670	20	66	730	1,610

Motors bigger than 50HP are star-delta starting. Other specific application shall be accepted upon requests. *Figures in parentheses refer at 60Hz.

SAKURAGAWA PUMP MFG.CO.,LTD.