

SUBMERSIBLE DEWATERING PUMP

Super Heavy Duty!

Powerful, Efficient and Built for Hard Work!

FEATURES:

1. Extracompact, high performance and easy to operate at anytime, anyplace it is required.
2. The design has reduced the risk of clogging and locking of the impeller.
3. The number of parts is minimized and the simplicity in its design increased the common component parts, which will decrease the cost in maintenance.

**U-K
SERIES**

Save Labor & Energy
Easy to Disassemble
& Repair.

1. Discharge Dia.: 50-200mm
2. Motor Output: 0.4-22kW
3. Total Head: 8-20m
4. Capacity: 0.15-4.0m³/min



SAKURAGAWA

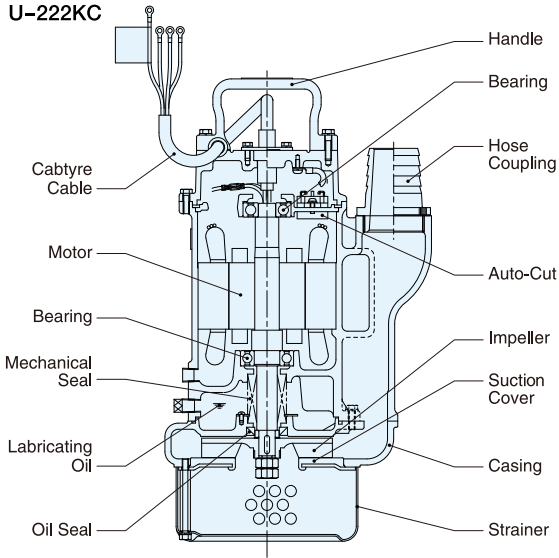


APPLICATIONS:

Civil Engineering & Construction Service,
Tunnel & Caisson Dewatering,
Agricultural Irrigation, Reclaiming Operations,
Tight Trenches, Manholes,
Contractors & Rental Companies, etc.

DEWATERING PUMP U-K SERIES

CUT-AWAY SECTION



MOTOR PROTECTOR

Auto-cut, recycling thermal protector is built-in to secure the protection of the motor against temperature rise due to clogging of the impeller, overload, dry-running, voltage drop, etc. U-4308KB is not equipped with Auto-Cut.

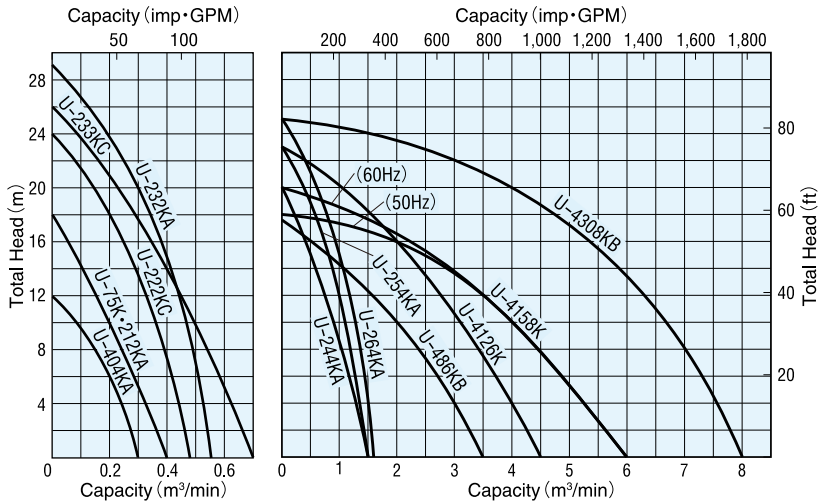
SHAFT SEAL

The twin Mechanical Seals cooled and lubricated in the oil bath system ensure reliable effect and steady service at heavy-duty work sites for a long period of time.

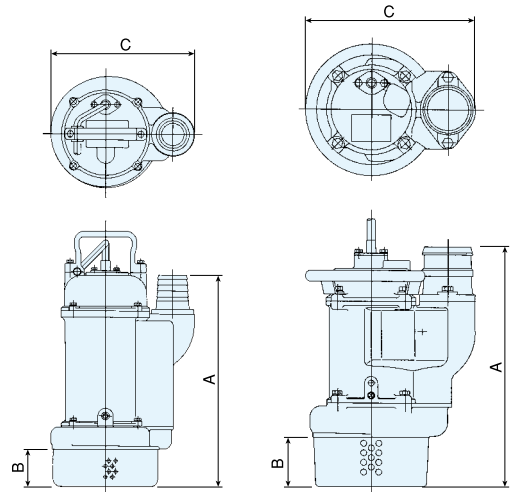
IMPELLER & CASING

The impeller is precisely balanced and abrasion-resistant with a large channel to ensure free of clogging. Together with the hydro-mechanically well designed volute casing, the impeller will function to the great extent of pumping efficiency. The suction cover is rubber-lined, excellent wearing resistant to abrasive particles in water. (Excluding the Models, U-486KB, U-4126K, U-4158K)

PERFORMANCE CURVES



DIMENSIONS



*Please refer to the Standard Specifications.

SPECIFICATIONS

Models	Discharge Dia.		Phase	Motor Output		Pole	Head		Capacity		Dimensions			Cable Length		Weight (without cable)	
	mm	in		kW	Hp		m	ft	m ³ /min	imp·GPM	A	B	C	m	ft	kg	lbs
U-40KA*	50	2	1	0.4	1/2	2	8	26	0.15	33	435	64	245	6	20	17.5	39
U-75K*	50	2	1	0.75	1	2	10	33	0.2	44	490	63	245	6	20	20	44
U-212KA	50	2	3	0.75	1	2	10	33	0.2	44	435	64	245	10	33	17.5	39
U-222KC	50	2	3	1.5	2	2	18	59	0.2	44	455	73	260	10	33	27	60
U-232KA	50	2	3	2.2	3	2	20	66	0.3	66	490	73	280	10	33	32	71
U-233KC	80	3	3	2.2	3	2	14	46	0.4	88	490	73	280	10	33	32	71
U-244KA	80 100	3 4	3	3	4	2	15 10	49 33	0.5 0.9	110 198	480	98	340	10	33	46	101
U-254KA	100	4	3	3.7	5	2	12	39	1	220	555	98	340	10	33	58	127
U-264KA	100	4	3	4.5	6	2	15	49	1	220	555	98	340	10	33	58	127
U-486KB	150	6	3	5.5	7.5	4	10	33	2	440	785	150	465	10	33	124	274
U-4126K	150	6	3	9	12	4	16	52	2	440	810	150	550	10	33	180	397
U-4158K	200	8	3	11	15	4	10	33	4	880	850	166	560	10	33	200	440
U-4308KB	200	8	3	22	30	4	20	66	4	880	1,140	212	630	10	33	340	750

*Available to arrange other specific applications upon request. *Specifications are subject to change without notice.

SAKURAGAWA PUMP MFG.CO.,LTD.

Note that mark with * is unavailable for the time being. We are sorry for the inconvenience. Instead, we may offer an equivalent model. Please contact us if you are interested.