

**INNOVATIVE AUTOMATIC OPERATION OF THE PUMP
IN THE NEXT GENERATION STYLE BY MEANS OF
CAPACITANCE MODE SENSOR**

IT Pump UEX Series

Patent Pending



UEX-253A



UEX-233A



UEX-40



Sakuragawa will provide you with comfortable environment.

SAKURAGAWA

With capacitance mode sensor, UEX series performance is highly accurate and also easy control for changing the water level.

● Accuracy Operation ●

Determined by capacitance

The rate of water dielectric is about eighty times faster than that of atmosphere. By means of monitoring its electrical capacitance, new UEX model can precisely detect existence of water. UEX also can work properly even though its surface of the sensor catches dirt.

Unaffected by the condition of water like wave

UEX series is not likely to get any influence by water wave and does not have running parts. This structure can reduce malfunction of the pump due to substance smeared on the sensor. To reduce any malfunction by droplets of any liquid and rain, a situation in which an instantaneous condition changes, UEX series is equipped with a programmable micro-computer.

● Easy setup for water level ●



Flexible sensor

Flexible material is used for the sensor as you can bend it by hand. The setting up for the water level is to bend the sensor without any tool. After the setup, the control water level is fixed at this position and the operating water level is set to the end of the sensor.

Monitoring sensor by capacitance

This pump detects water between the pump body and the tip of the sensor by capacitance. Modifying water level may widely change detection distance, nevertheless in a case of capacitance detection, it will not be affected by its change, therefore stable and reliable detection for UEX series is assurable.

● Easy handling ●

Control parts stored in head cover

The concept of the structure of UEX series is easy handling. All control parts are placed in the head cover except the sensor. Those control parts are applied to moisture prevention by means of silicon, so as not to get affected by moisture.

Enhanced structure against shock

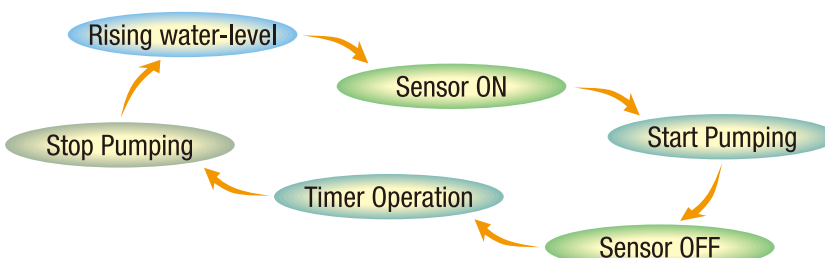
Almost all of the UEX series - 222A, 233A and 253A - have a shock less structure to protect the sensor, even if these pumps happen to fall. Because the sensor line of those models is designed to be placed along the space between the water channel and the dented part of the pump body.



● Water level control in line with work-site ●

Optimized and automated operation

This pump has a single sensor which detects one-level, but it can start its operation at the upper most detection point so that it controls its operation period by timer. In this situation, the operation time can be calculated by a programmable computer which can estimate the optimum operation time in accordance with the work-site of the pump. This function achieves energy-saving operation as well as shortening dry-running period to the minimum and less frequent initiation. If you set up for the sensor level at the highest point of the water-level, the pump itself can decide and control for what is the best way to perform.





UEX-40

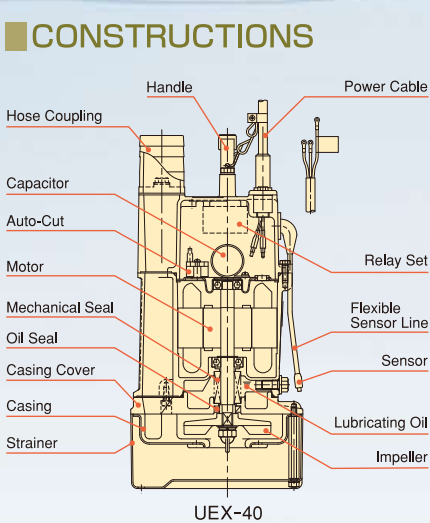


UEX-233A

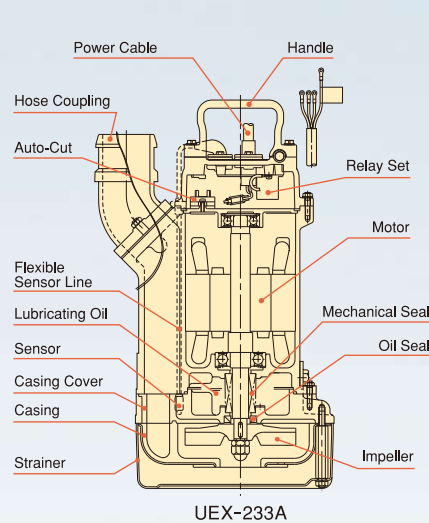


UEX-253A

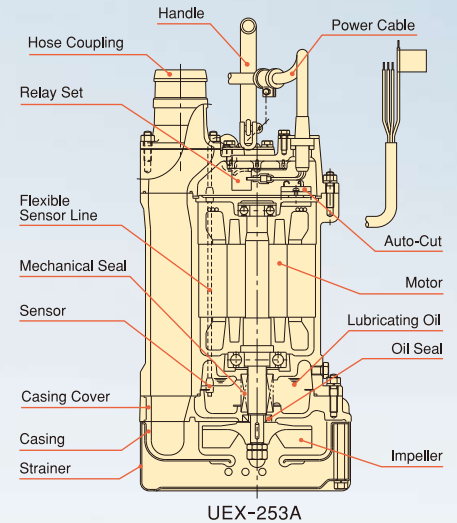
CONSTRUCTIONS



UEX-40

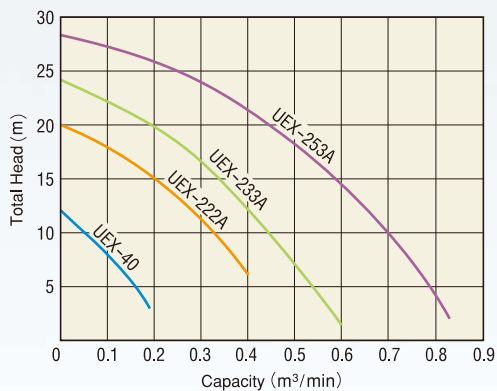


UEX-233A



UEX-253A

PERFORMANCE CURVES



APPLICATIONS

- ◆ Civil engineering & construction
- ◆ Contractors & rental companies
- ◆ Drainage out of underground pit, manholes, etc
- ◆ Supply and dewatering works from agricultural field, factory, etc
- ◆ Drainage out of spring water, stagnant water from swamp, pit, etc

SPECIFICATIONS

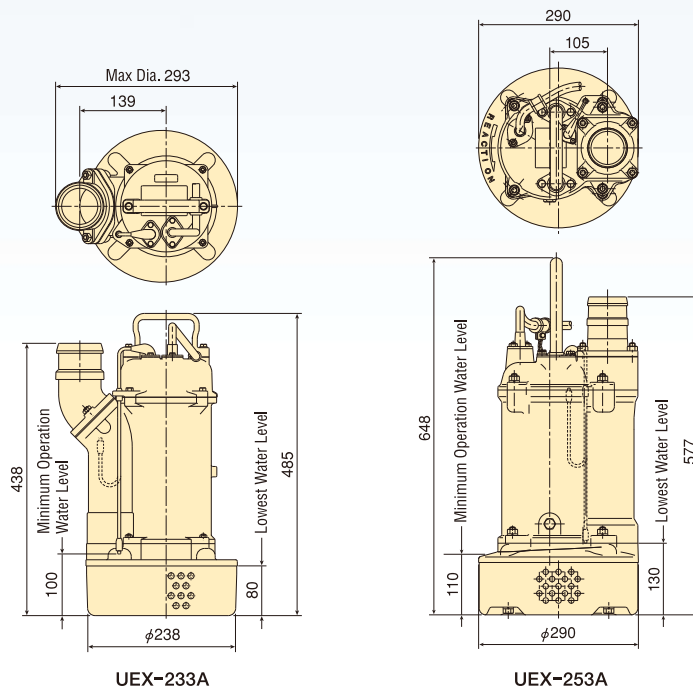
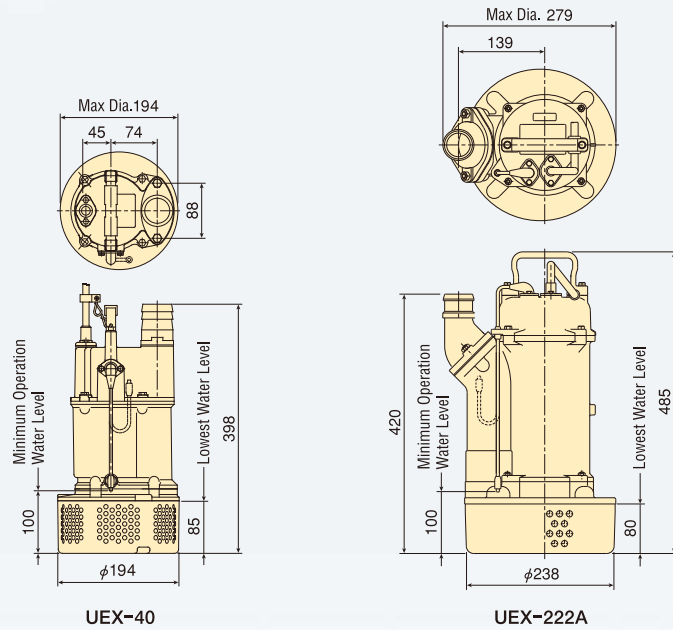
Models	Discharge Dia.		Total Head		Capacity		Voltage	Phase	Motor Output		Max Dia.		Height		Weight w/o cable	
	mm	inch	m	ft	m³/min	imp/GPM			kW	Hp	mm	in	mm	in	kg	lbs
UEX-40	50	2	8	26	0.1	22	*	1	0.4	1/2	194	8	398	16	11.5	8
UEX-222A	50	2	15	49	0.2	44	*	3	1.5	2	279	11	485	19	21	15
UEX-233A	80	3	12	39	0.4	88	*	3	2.2	3	293	11	485	19	25	12
UEX-253A	80	3	18	59	0.5	110	*	3	3.7	5	298	11	648	26	39	18

*Ask it for manufacturer or our distributor. Specifications are subject to change without notice.

UEX Series

UEX-40 · 222A · 233A · 253A

DIMENSIONS



For safety operation, please be sure to read through our instruction manual before using the pumps.

SAKURAGAWA PUMP
MFG.CO.,LTD.