



# The PressureWave™ Series

Available in 10 and 16 bar

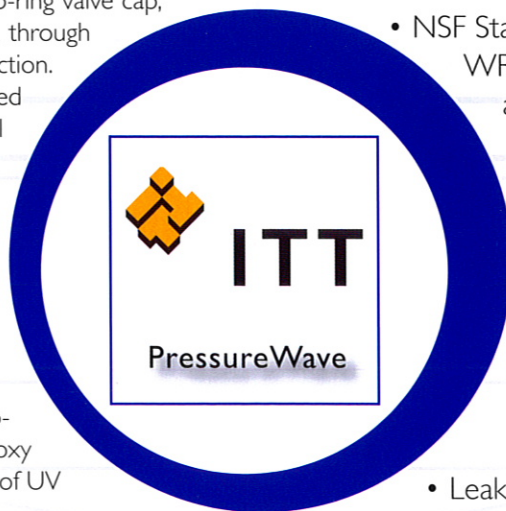
PressureWave™ tanks are ideally suited for a wide range of applications, including booster systems, thermal expansion, irrigation systems, and hydraulic hammer arresting.

The PressureWave™ Series is constructed of a virgin polypropylene liner combined with an FDA approved high grade butyl diaphragm. This is held against the wall of the tank with a steel clench ring. The brass air valve, sealed by a threaded o-ring valve cap, prevents air leaks. Water enters the tank through a patented stainless steel water connection. The diaphragm and liner are both reinforced in specific wear areas for longer life. All internal parts including the air valve are rounded to prevent piercing of the diaphragm in extreme conditions. The water connection uniquely provides a dual water/air seal ensuring a complete leak free and maintenance free pressure vessel.

On the exterior the almond colored two-part polyurethane paint finish over an epoxy undercoating provides hundreds of hours of UV and salt spray protection.

PressureWave™ tanks are quality tested at several stages on the production line to insure the structural integrity of every tank.

PressureWave™ tanks represent the best value for the investment and are the best quality pressure vessels available today.



## Features

- Single diaphragm design
- NSF Standard 61, CE/PED, WRAS, ACS, ISO:9001, Gost approved
- Patented stainless steel water connection
- Virgin polypropylene liner
- Two part polyurethane, epoxy primed paint finish
- Leak free, o-ring sealed air valve cap
- Comprehensive testing
- No maintenance



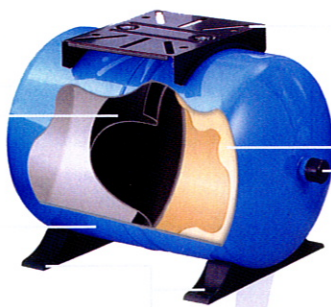
Model #'s		Dimensions						Connection	Nominal Volume		Shipping (box)		Shipping (box)	
		A		B		C			liter	gal	cu. M	cu. ft	kilos	lbs
BSP	NPT	cm	inches	cm	inches	cm	inches							
PWSA1SS	PWSA1	11.3	4.5	8.5	3.4			1/2" SS	0.16	0.04	n/a	n/a	0.34	0.75
PWSA3	PWSA3	9.7	3.8	9.7	3.8			1/2" Nylon	0.3	0.08	n/a	n/a	0.34	0.75
PWSA5	PWSA5	13.6	5.4	11.4	4.5			1/2" Nylon	0.5	0.13	n/a	n/a	0.55	1.21
PWSA10SS	PWSA10	14	5.5	13.7	5.4			1/2" Nylon	1	0.26	n/a	n/a	0.79	1.74
PWB1	PWN1	19.7	7.8	12.1	4.8			1/2" Nylon	1	0.26			0.84	1.85
PWB2	PWN2	18.3	7.3	12.7	5.1			1" BSP / NPT SS Inline	2	0.5	0.004	0.13	1.0	2.2
PWB4	PWN4	25.8	10.16	16.2	6.4			1" BSP / NPT SS Inline	4	1.1	0.008	0.30	1.69	3.7
PWB8	PWN8	31.7	12.7	20.3	8.1			1" BSP / NPT SS Inline	8	2.1	0.016	0.55	2.6	5.7
PWB12	PWN12	36.6	14.6	24.4	9.8			1" BSP / NPT SS Inline	12	3.2	0.023	0.82	3.1	7.0
PWB18	PWN18	36.8	14.7	27.9	11.2			1" BSP / NPT SS Inline	18	4.8	0.031	1.10	4.3	9.5
PWB24	PWN24	44.4	17.8	29.2	11.7			1" BSP / NPT SS Inline	24	6	0.042	1.50	5.6	12.3
PWB35	PWN35	48.1	18.9	31.8	12.5			1" BSP / NPT SS Inline	35	9.2	0.065	2.30	7.0	15.4
Horizontal Models														
PWB20H	PWN20H	43.9	17.6	28.9	11.6	15.1	6.0	1" BSP / NPT SS Inline	20	5.3	0.042	1.50	6.1	13.4
PWB24H	PWN24H	44.4	17.8	31.7	12.7	16.1	6.4	1" BSP / NPT SS Inline	24	6	0.047	1.65	6.5	14.3
PWB35H	PWN35H	48.1	18.9	35.4	13.9	17.8	7.0	1" BSP / NPT SS Inline	35	9.2	0.071	2.50	7.9	17.6
PWB60H	PWN60H	52.8	21.1	41.4	16.6	21.3	8.5	1" BSP / NPT SS Inline	60	14	0.102	3.60	12.5	27.6
PWB80H	PWN80H	72.4	29	41.4	16.6	21.3	8.5	1" BSP / NPT SS Inline	80	20	0.133	4.70	17.5	38.5
PWB100H	PWN100H	72.4	29	48.2	19	24.4	9.6	1" BSP / NPT SS Inline	100	26.4	0.171	6.04	19.2	42.3
Vertical Models w/ base														
PWB35V	PWN35V	55.5	21.9	31.8	12.5	12.0	4.7	1" BSP / NPT SS Elbow	35	9.2	0.074	2.61	7.5	16.5
PWB60V	PWN60V	62.6	25.0	38.8	15.5	10.4	4.2	1" BSP / NPT SS Elbow	60	14	0.093	3.30	12.3	27.1
PWB80V	PWN80V	79	31.1	38.8	15.5	10.4	4.2	1" BSP / NPT SS Elbow	80	20	0.127	4.5	16.7	36.7
PWB100V	PWN100V	80.4	31.7	43.0	16.9	13.1	5.2	1" BSP / NPT SS Elbow	100	26.4	0.168	5.93	18.9	41.7

All connections are stainless steel unless stated otherwise. Tank precharge: 28psi/1.9 bar  
 Maximum Working Pressure: 150 psi/10bar Maximum Working Temperature: 200° F/ 90° C  
**Most Pressure Wave models are available in 16bar**

Leak free, o-ring sealed air valve cap

Single diaphragm design

Two part polyurethane, epoxy primed paint finish

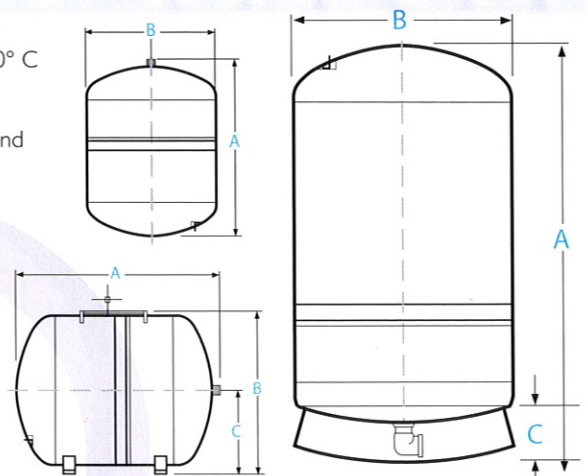


Plastic Tank Feet

Nylon Plastic Pump Stand

Virgin polypropylene liner

Patented stainless steel water connection



ITT FTI (Australia) P/L  
 Unit 3 / 1 Federation Way  
 Chifley Business Park  
 Mentone Victoria 3194  
 Australia  
 Tel: +61 3 9551 7333  
 Fax: +61 3 9551 0321



ISO:9001



**ITT**

