

GL-GLV SERIES

SUBMERSIBLE ELECTRIC PUMPS FOR WASTE WATERS

APPLICATIONS

- Circulation of sewage water containing suspended solids.
- Emptying of domestic waste water tanks, dirty water from cesspools and sewage water in general.
- Drainage of excavations and marshy grounds.

FEATURES

- Manufactured in cast iron - shaft and impeller in 304 stainless steel.
- **Motor stator installed** non-toxic, dielectric **oil** for the lubrication of the ball bearings and improved cooling.
- **Volute pump casing.**
- **Mechanical seal** protected by **sand-proof labyrinth.**
- Maximum depth of **immersion: 5 meters.**
- Maximum liquid **temperature: 50°C** with **pump wholly submersed.**
30°C with **pump partially submersed.**
- Motor class F - IP68 - 2900 rpm.
- Single-channel or vortex impeller - cross-section Ø 50 mm.
- Starting panel in the single-phase version.
- Version:
Single-phase 220-230 V 50 Hz.
Three-phase 220-240 V, 50 Hz or 380-415 V 50 Hz.



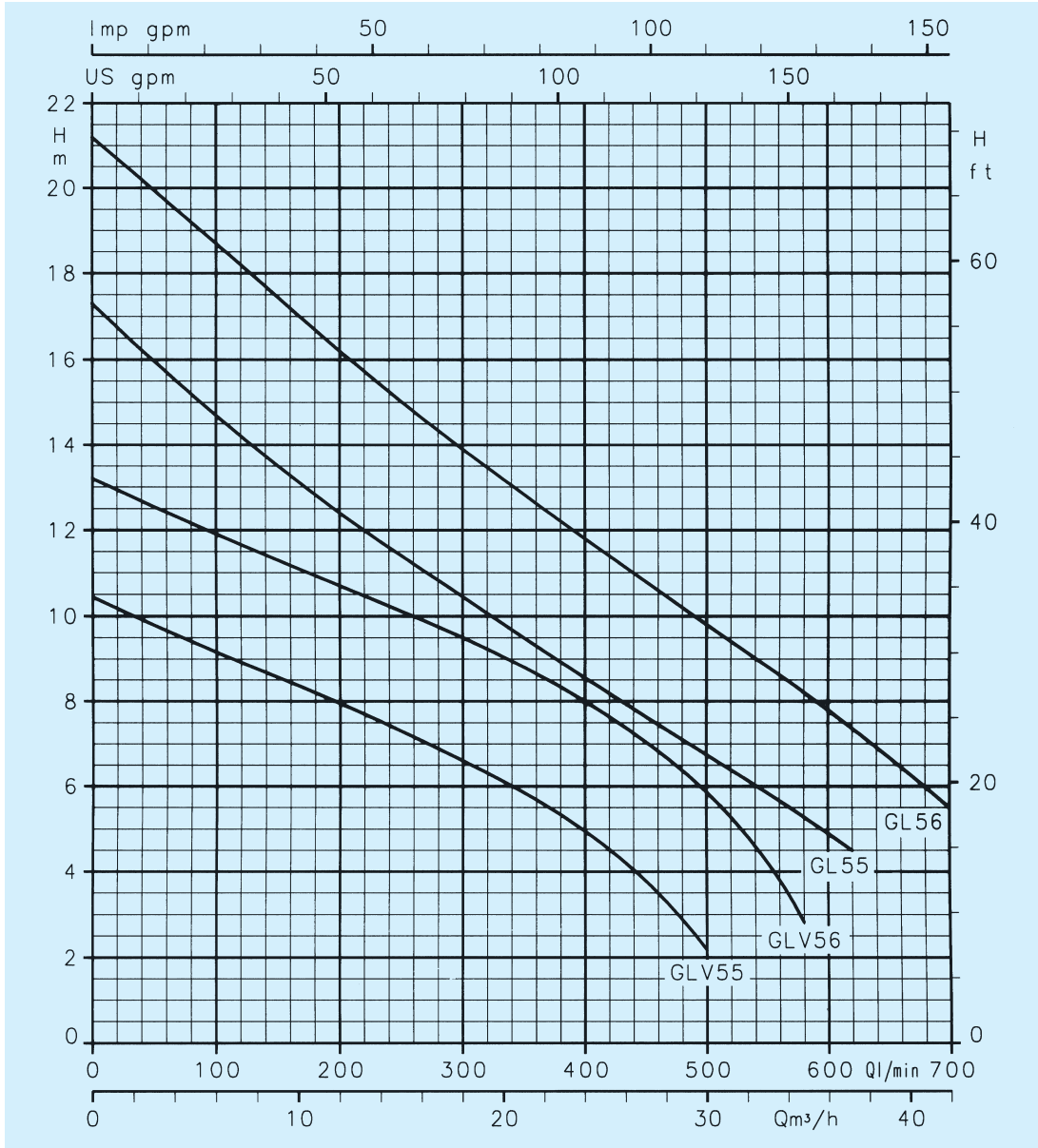
TABLE OF MATERIALS

COMPONENT	MATERIAL
Pump casing	CAST IRON* 200 UNI ISO 185
Impeller	CrNi STEEL (AISI 304)
Suction flange	CrNi STEEL (AISI 304)
Support foot	CrNi STEEL (AISI 304)
O-Ring	NITRILE RUBBER
Mechanical seal	CARBON/CERAMIC/ NITRILE RUBBER
Shaft extension	CrNi STEEL (AISI 304)
Motor casing	CAST IRON* 200 UNI ISO 185

* Cast iron with polybutadiene surface treatment for electrophoresis at 180°C



WORKING FEATURES AT 2850 rpm



PUMP TYPE		IMPELLER TYPE	kW	HP	ABSORBED POWER IN AMP.		CAPACITOR		MOTOR RATED CURRENT			Q = CAPACITY						
SINGLE-PHASE 220-240 V 50 Hz	THREE-PHASE 220-240/380-415 V 50 Hz				SINGLE-PHASE	THREE-PHASE	μF	V	SINGLE-PHASE 220-240 V	THREE-PHASE 220-240 V	THREE-PHASE 380-415 V	l/min	100	200	300	400	500	600
										m³/h	6	12	18	24	30	36	42	
												H = HEAD IN METERS OF COLUMN OF WATER						
GLVM 55	GLV 55	VORTEX	1,5	1,1	1,7	1,7	30	450	8,3	5,6	3,2	9	8	6,5	5	2		
	GLV 56	VORTEX	2	1,5	-	2,2	-	-	-	6,6	3,8	12	10,5	9,5	8	6		
GLM 55	GL 55	CHANNEL	1,5	1,1	1,75	1,75	30	450	8,5	5,7	3,3	14,5	12,5	10,5	8,5	6,5	5	
	GL 56	CHANNEL	2	1,5	-	2,2	-	-	-	6,6	3,8	18,5	16	14	12	10	8	5,5

These performances are valid for liquids with density $\rho = 1.0 \text{ kg/dm}^3$ and kinematic viscosity $\gamma = 1 \text{ mm}^2/\text{sec}$.

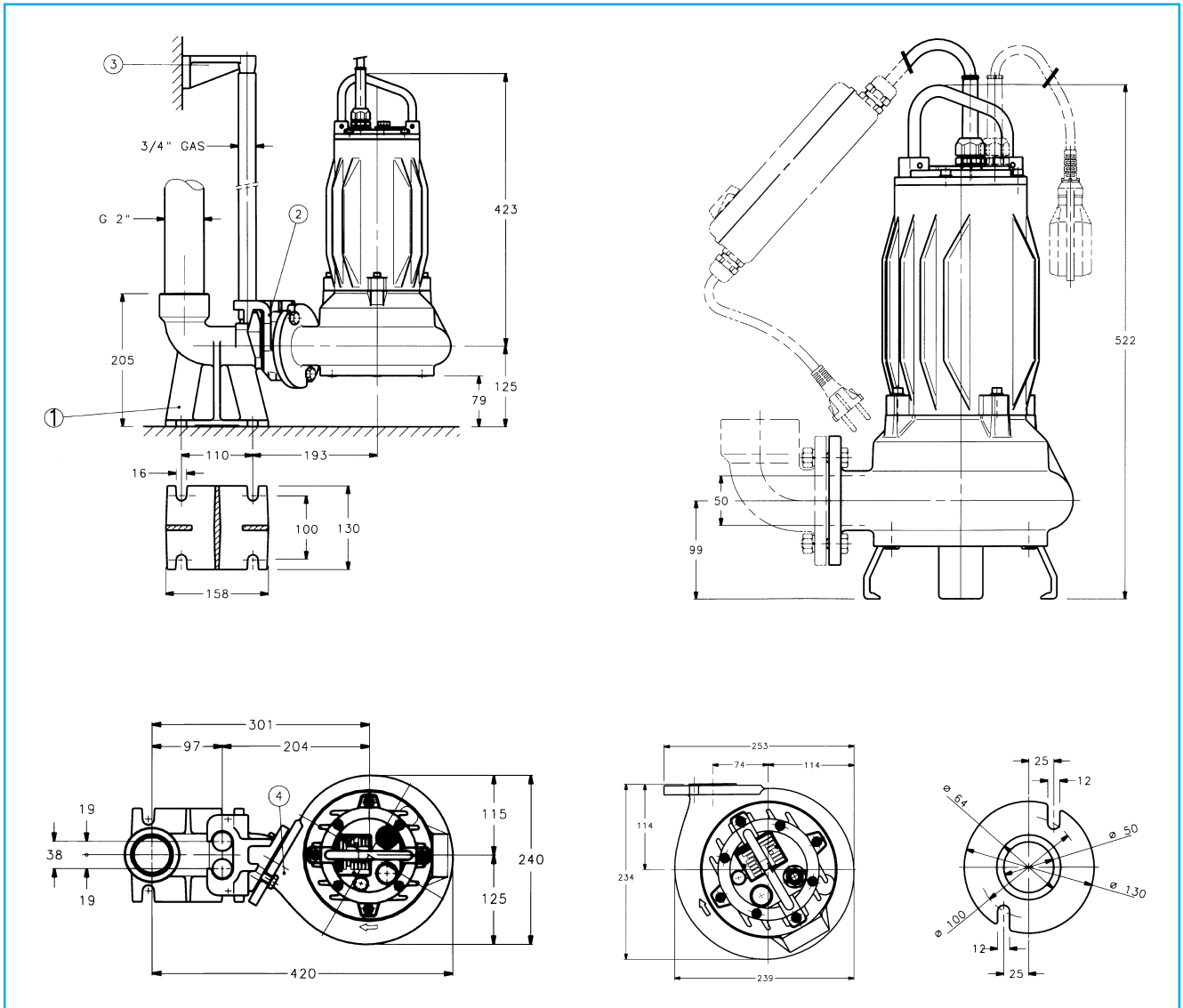




ITT

Lowara

DIMENSIONS AND WEIGHTS



PUMP TYPE	WEIGHT kg
GL 55 - GLV 55	27
GL 56 - GLV 56	30
GLM 55	28
GLVM 55	27

GL-GLV



1300 4 BBENG
www.brownbros.com.au



0508 4 BBENG
www.brownbros.co.nz