

DOMO Series

Submersible pumps for solid-laden wastewater. Made in stainless steel, with mechanical seal and versions with twin-channel impeller, Vortex impeller, and grinder impeller.

Supplied with or without float switch.

Specifications

Delivery: up to 40 m³/h

Head: up to 14.5 m

Power supply: three-phase and single-phase 50 and 60 Hz

Power: 0.55 kW to 1.5 kW

Maximum immersion depth: 5 m

Temperature of pumped liquid: 0°C to +35°C (with pump totally immersed)

Shaft extension: Stainless steel

Liquids with suspended solids:

up to 35 mm (Domo 7-Domo 7VX)

up to 50 mm (Domo 10-15-20 and Domo10-15-20VX)

Version with grinder impeller

(DOMO GRI)

Insulation class: F (motor dry)

Protection: IP68

Length of cable: 10 m (except Domo 7,5 m)

Materials

Pump body, motor casing: Stainless steel

DOMO 7 (VX) impeller: Reinforced nylon

DOMO 10-15-20 (VX) impeller: Stainless steel

DOMO GRI impeller: Technopolymer

PBT, stainless steel and high resistance Grinder.

Inner mechanical seal: Silicon-carbide/

Silicon-carbide

Lubricated by the DRIVELUB System.

Upper lip seal: NBR

Shaft extension: Stainless steel

Handle: Nylon

Applications

Emptying of septic tanks and residential sumps

Pumping of effluent (the VX version also pumps suspended filaments)

Emptying of wells and tanks in industrial and ecological applications

Emptying of tanks or reservoirs

Emergency draining in flooded areas

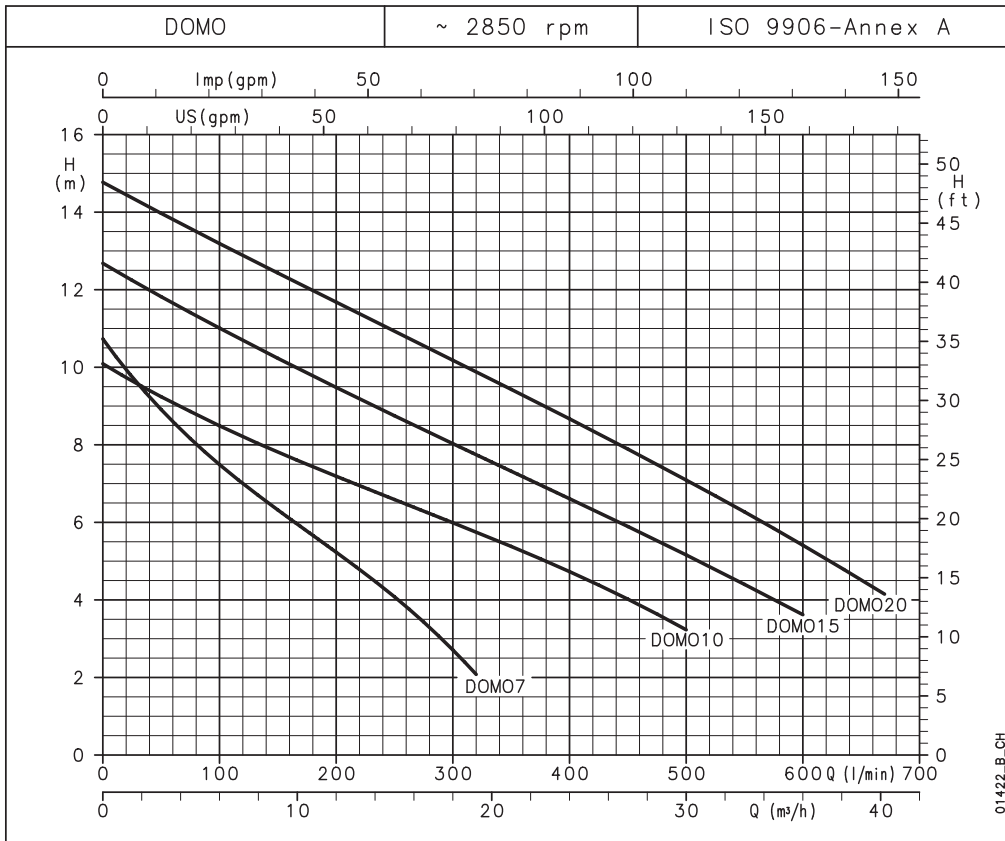


For a complete list of technical information, consult www.lowara.com

DOMO SERIES

Operating characteristics at 50 Hz

3



DOMO SERIES

Hydraulic performance table

PUMP TYPE	RATED POWER		Q = DELIVERY											
			l/min	0	100	150	200	250	300	320	400	500	600	670
	kW	HP	m³/h	0	6	9	12	15	18	19,2	24	30	36	40,2
			H = TOTAL HEAD IN COLUMN OF WATER (METRES)											
DOMO 7(T)	0,55	0,75	10,7	7,5	6,3	5,2	4,1	2,7	2,1					
DOMO 10(T)	0,75	1	10,1	8,5	7,8	7,2	6,6	6,0	5,8	4,7	3,2			
DOMO 15(T)	1,1	1,5	12,7	11,0	10,2	9,5	8,8	8,0	7,8	6,6	5,2	3,6		
DOMO 20T	1,5	2	14,8	13,2	12,4	11,7	10,9	10,2	9,9	8,7	7,1	5,4	4,2	

These performances are valid for liquids with density $\rho = 1.0 \text{ kg/dm}^3$ and kinematic viscosity $\nu = 1 \text{ mm}^2/\text{s}$.

domo-2p50_a_th

Electrical data

PUMP TYPE	INPUT POWER*		CAPACITOR	PUMP TYPE	INPUT POWER*		INPUT CURRENT*
	SINGLE-PHASE				THREE-PHASE		
	kW	INPUT CURRENT* 220-240 V A	$\mu\text{F} / 450 \text{ V}$		kW	INPUT CURRENT* 220-240 V A	INPUT CURRENT* 380-415 V A
DOMO 7	0,80	3,94	16	DOMO 7T	0,73	2,58	1,49
DOMO 10	1,14	5,84	22	DOMO 10T	1,09	4,09	2,36
DOMO 15	1,58	7,02	30	DOMO 15T	1,49	4,73	2,73
-	-	-	-	DOMO 20T	1,96	6,6	3,81

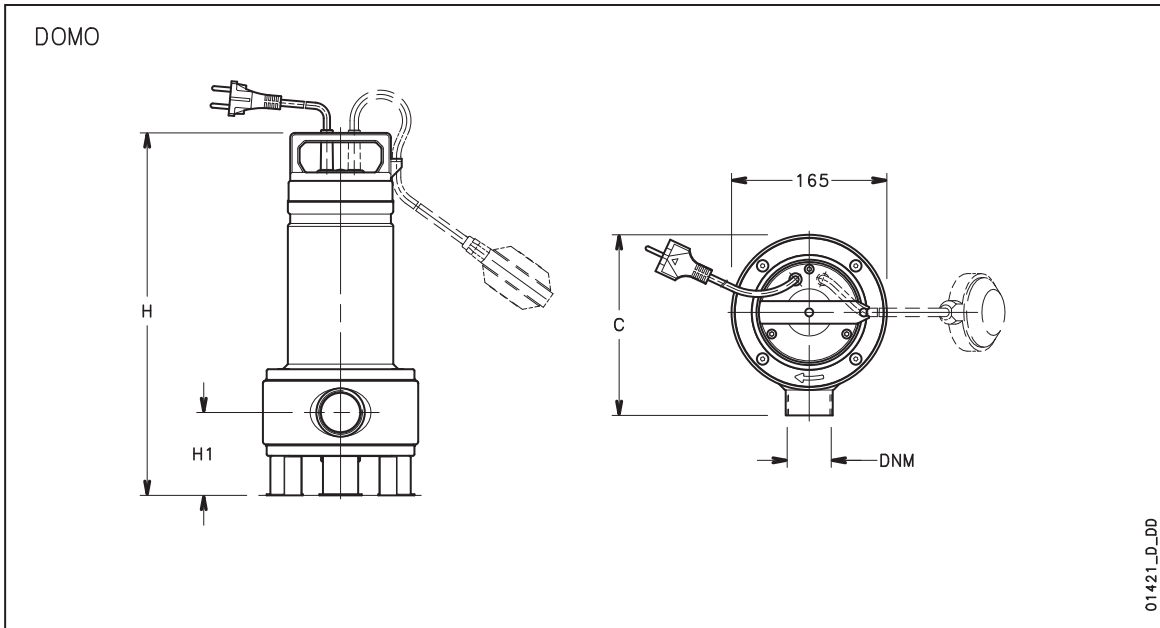
*Maximum value in specified range

domo-2p50_a_te

Black and white technical books available
see www.lowara.it

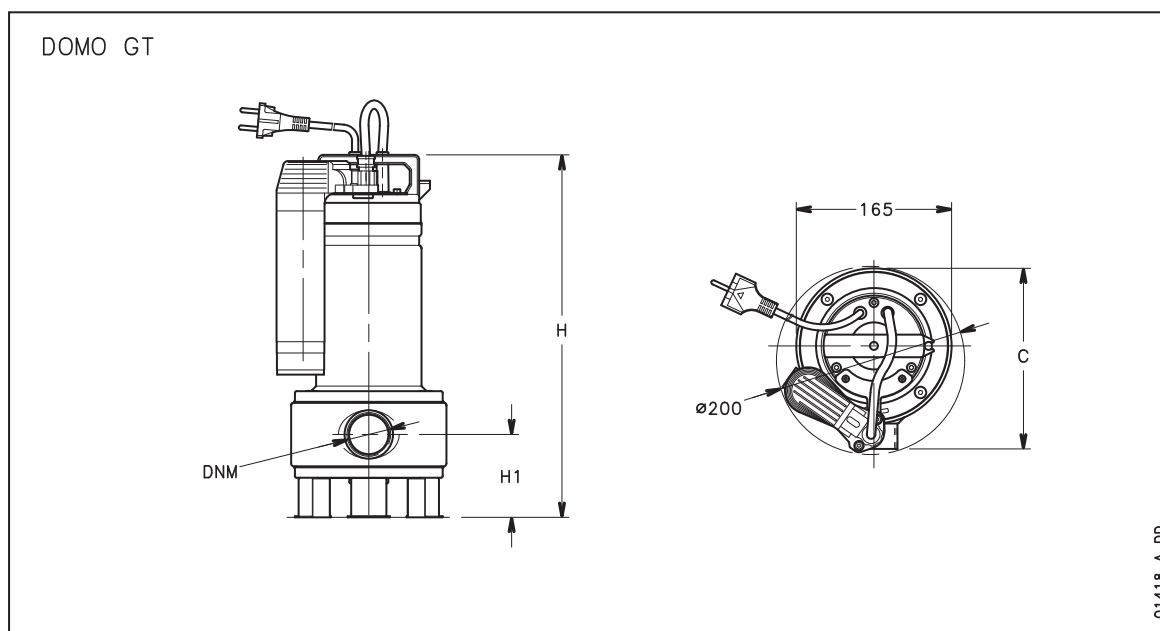
DOMO SERIES

Dimensions and weights



PUMP TYPE		DIMENSIONS (mm)			DNM	WEIGHT	PUMP TYPE		DIMENSIONS (mm)			DNM	WEIGHT
SINGLE-PHASE		H	H1	C			THREE-PHASE		H	H1	C		
DOMO 7	DOMO 7 GT	391	88	193	Rp1 1/2	10,2	DOMO 7T	391	88	193	Rp1 1/2	8,9	
DOMO 7VX	DOMO 7VX GT						DOMO 7VXT						
DOMO10	DOMO10 GT	468	111,5	198	Rp2	13,6	DOMO10T	438	111,5	198	Rp2	11,6	
DOMO10VX	DOMO10VX GT						DOMO10VXT						
DOMO15	DOMO15 GT	468	111,5	198	Rp2	15,3	DOMO15T	468	111,5	198	Rp2	13,6	
DOMO15VX	DOMO15VX GT						DOMO15VXT						
-	-	-	-	-	-	-	DOMO20T	468	111,5	198	Rp2	14,6	
							DOMO20VXT						

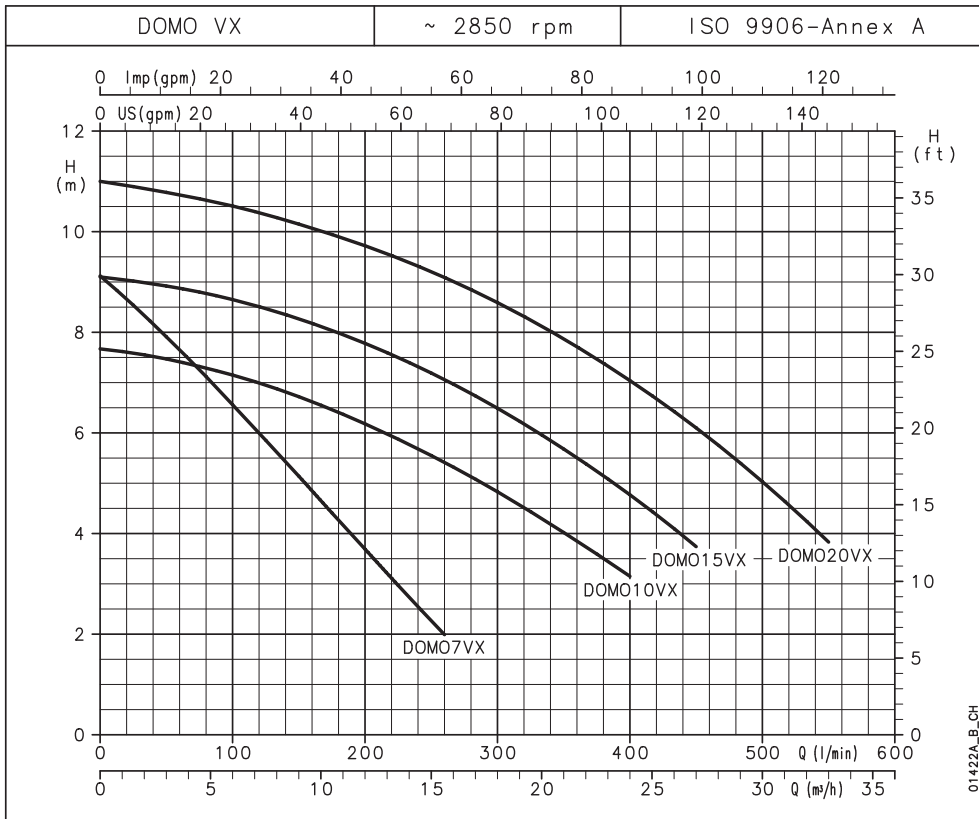
domo-2p50_c_td



DOMO VX SERIES

Operating characteristics at 50 Hz

3



DOMO VX SERIES

Hydraulic performance table

PUMP TYPE	RATED POWER		Q = DELIVERY												
	kW	HP	l/min	80	100	150	175	200	225	260	300	400	450	550	
			m³/h	4,8	6	9	10,5	12	13,5	15,6	18	24	27	33	
			H = TOTAL HEAD IN COLUMN OF WATER (METRES)												
DOMO 7VX(T)	0,55	0,75	9,1	7,1	6,6	5,1	4,4	3,7	3,0	2,0					
DOMO 10VX(T)	0,75	1	7,7	7,3	7,1	6,7	6,5	6,2	5,9	5,4	4,8	3,1			
DOMO 15VX(T)	1,1	1,5	9,1	8,8	8,6	8,3	8,0	7,8	7,5	7,1	6,5	4,8	3,7		
DOMO 20VXT	1,5	2	11,0	10,6	10,5	10,2	9,9	9,7	9,5	9,1	8,6	7,0	6,1	3,8	

These performances are valid for liquids with density $\rho = 1,0 \text{ kg/dm}^3$ and kinematic viscosity $\nu = 1 \text{ mm}^2/\text{s}$.

domovx-2p50_a_th

Electrical data

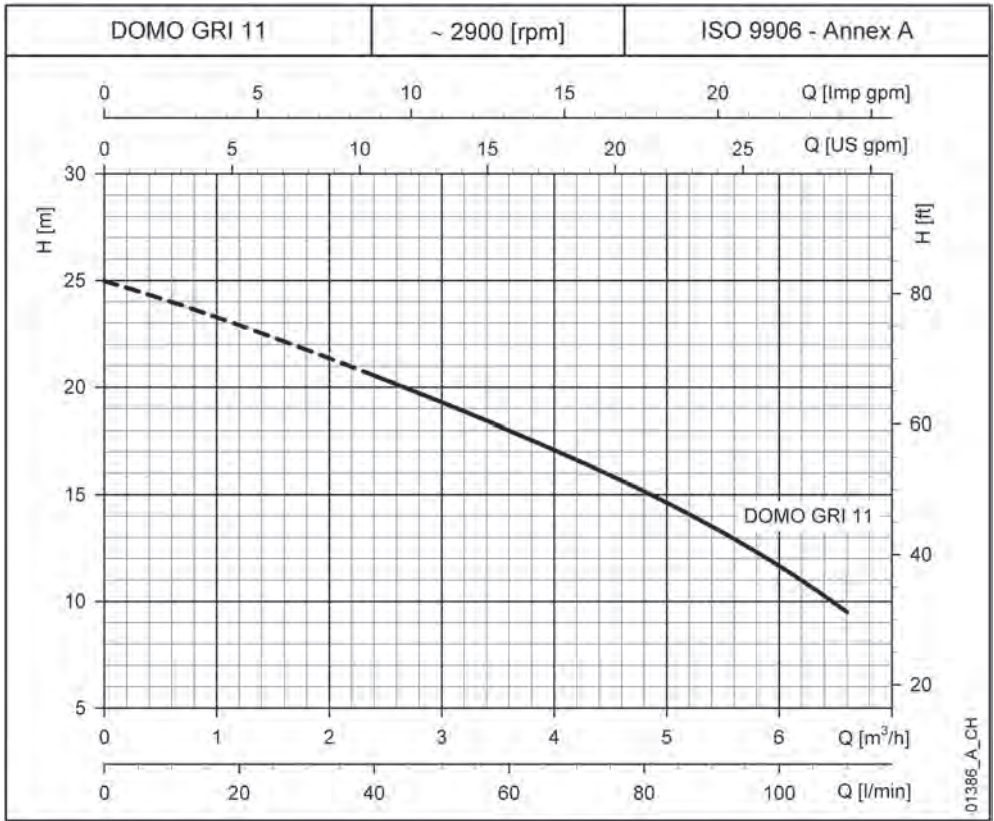
PUMP TYPE	INPUT POWER*	INPUT CURRENT*	CAPACITOR	PUMP TYPE	INPUT POWER*	INPUT CURRENT*	INPUT CURRENT*
	SINGLE-PHASE				THREE-PHASE		
	kW	220-240 V A	$\mu\text{F} / 450 \text{ V}$		kW	220-240 V A	380-415 V A
DOMO 7VX	0,79	3,91		16	DOMO 7VXT	0,71	2,56
DOMO 10VX	1,15	5,88	22	DOMO 10VXT	1,10	4,09	2,36
DOMO 15VX	1,36	6,11	30	DOMO 15VXT	1,26	4,31	2,49
-	-	-	-	DOMO 20VXT	1,74	6,22	3,59

*Maximum value in specified range

domovx-2p50_a_te

DOMO GRI SERIES

Operating characteristics at 50 Hz



DOMO GRI SERIES

Hydraulic performance table

PUMP TYPE	RATED POWER		Q = DELIVERY											
			l/min	0	15	30	40	50	60	70	80	90	100	110
			m³/h	0	0,9	1,8	2,4	3	3,6	4,2	4,8	5,4	6	6,6
			H = TOTAL HEAD METRES COLUMN OF WATER											
DOMO GRI 11 (SG)	1,1	1,5	25,0	23,5	21,7	20,5	19,3	18,0	16,6	15,2	13,5	11,7	9,5	
DOMO GRI 11 T														

These performances are valid for liquids with density $\rho = 1,0 \text{ kg/dm}^3$ and kinematic viscosity $\nu = 1 \text{ mm}^2/\text{s}$.

domo-gri-2p50-en_a_th

Electrical data

PUMP TYPE	RATED POWER*		CAPACITOR	PUMP TYPE	RATED POWER*		ABSORBED CURRENT*	ABSORBED CURRENT*
	SINGLE-PHASE				THREE-PHASE			
	kW	A	$\mu\text{F} / 450 \text{ V}$		kW	A	A	A
DOMO GRI 11 (SG)	1,50	6,84	30	DOMO GRI 11 T	1,39	4,55	2,63	

* Maximum value in specified range

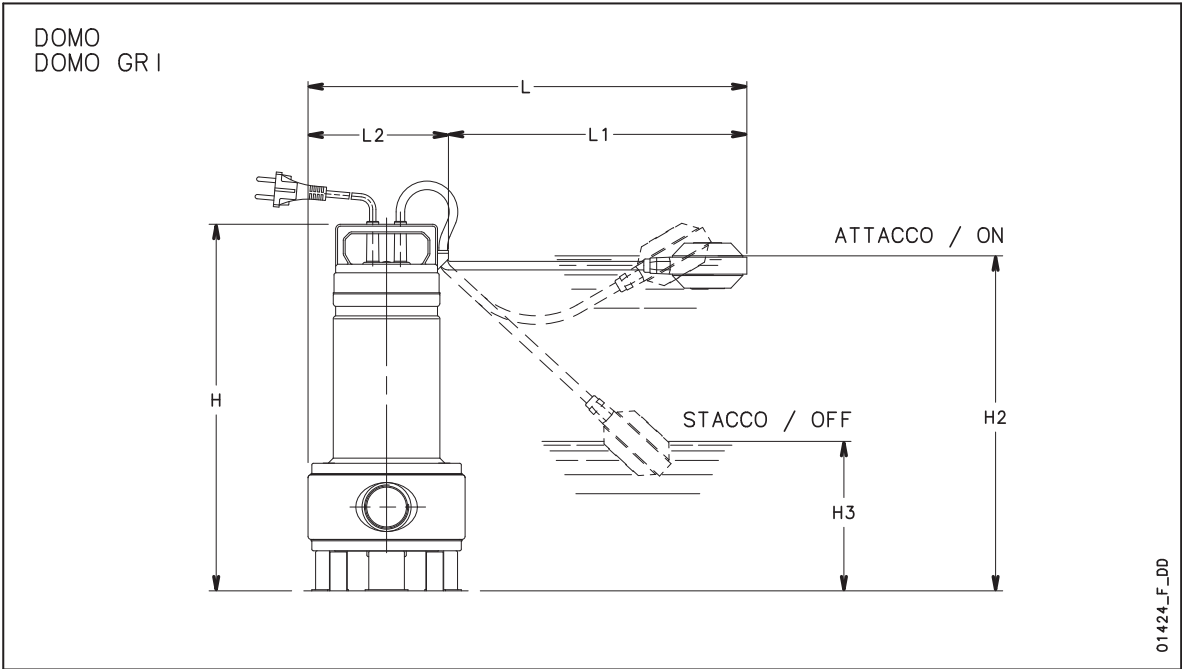
domo-gri-2p50-en_b_te

Black and white technical books available
see www.lowara.it

DOMO SERIES

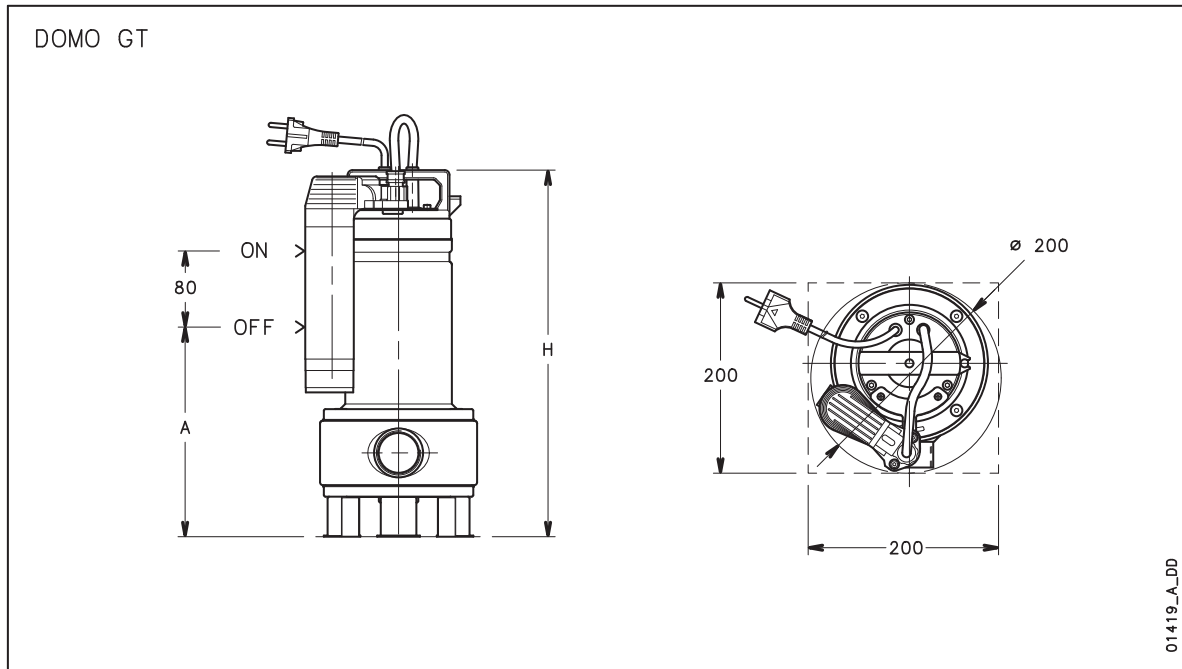
Installation examples

3



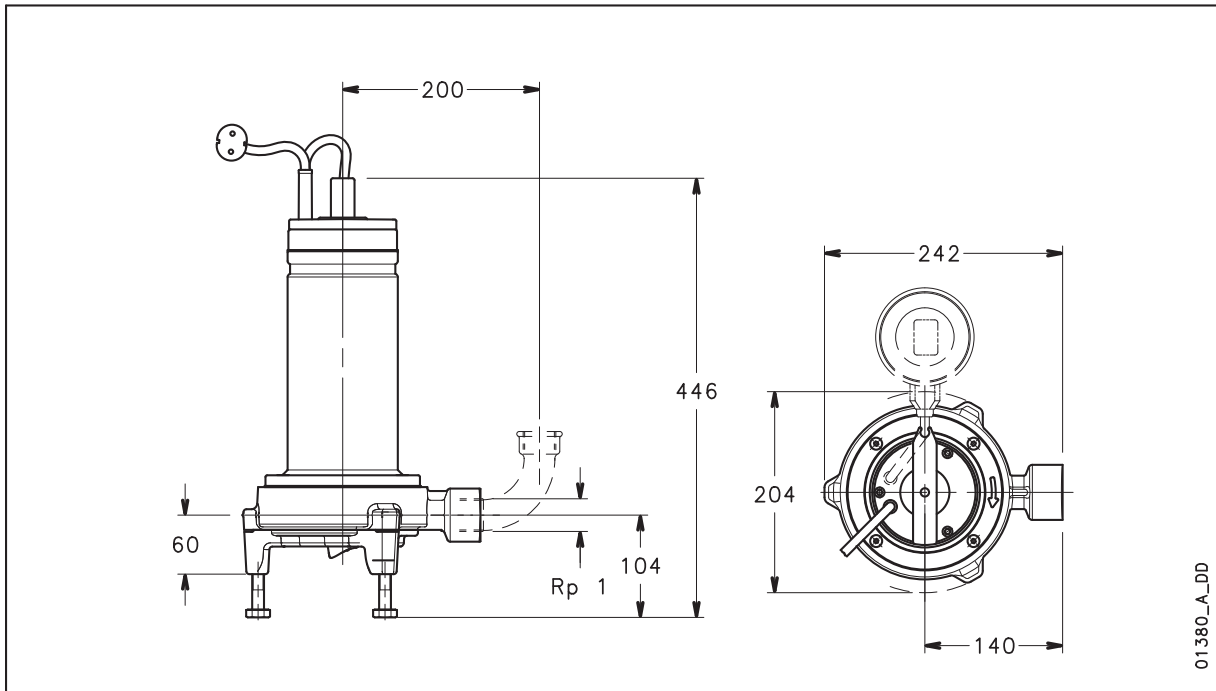
PUMP TYPE		DIMENSIONS(mm)						
		H	H2	H3	L	L1	L2	A
DOMO 7 - DOMO 7 GT	DOMO 7VX - DOMO 7VX GT	391	375	155	420	275	145	225
DOMO10 - DOMO10 GT	DOMO10VX - DOMO10VX GT	468	420	155	495	350	145	255
DOMO15 - DOMO15 GT	DOMO15VX - DOMO15VX GT	468	420	155	495	350	145	255
DOMO GRI 11	-	446	400	135	508	350	158	-

domoliv-2p50-en_d_td



DOMO GRI SERIES

Dimensions and weights

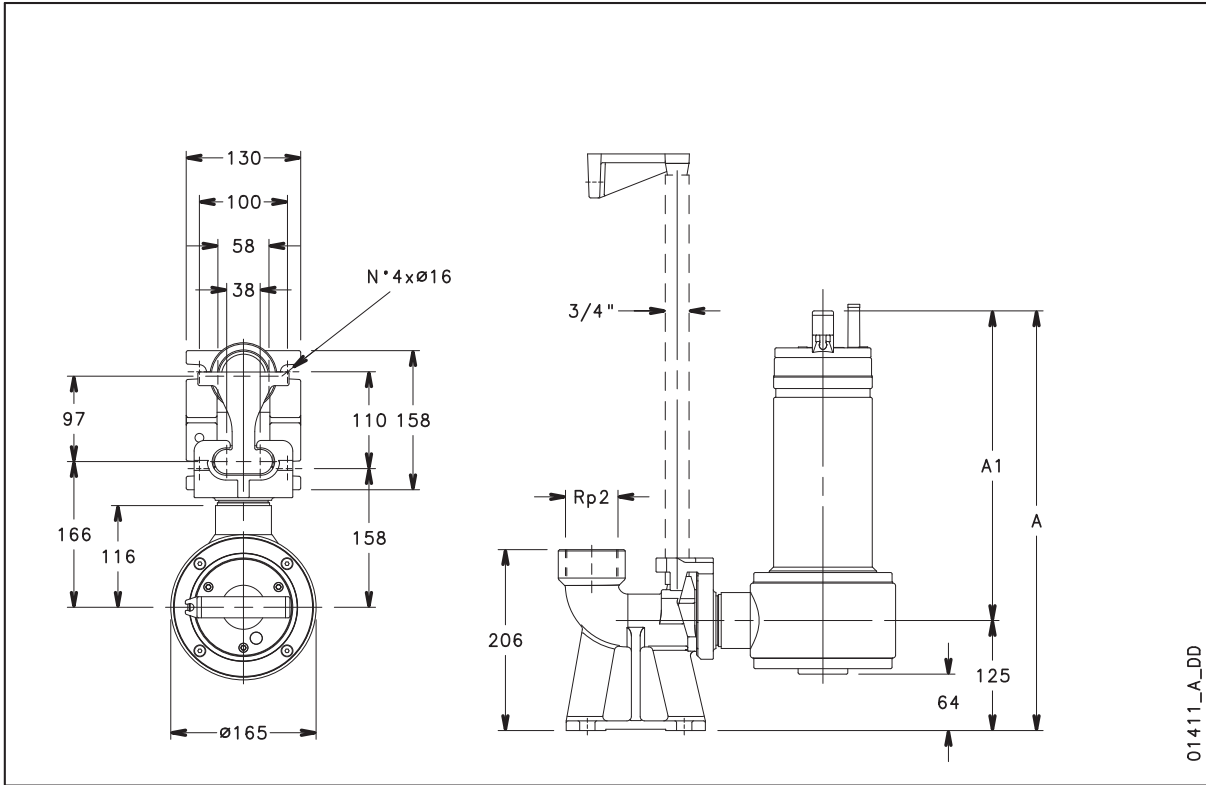


PUMP TYPE	WEIGHT kg
DOMO GRI 11 (SG)	19 (18,8)
DOMO GRI 11 T	18,3

domo-gri-en_a_td

SD Installations examples

3



SD Installations examples

