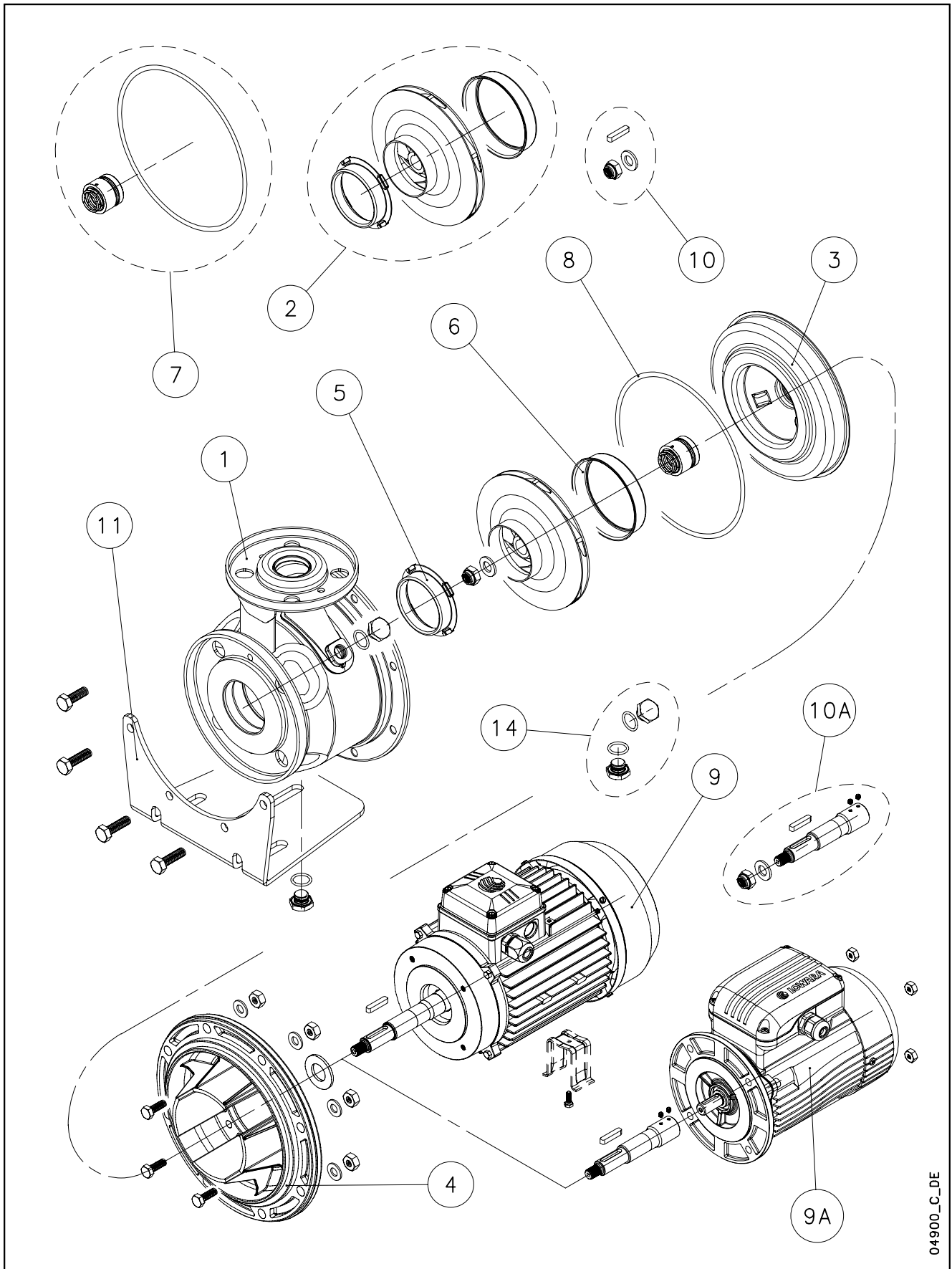


SHE - SHE4 / GSHE - GSHE4



04900_C_DE

Lowara and Vogel Pumpen are a trademark of Xylem Inc. or one of its subsidiaries.
Goulds is a registered trademark of Goulds Pumps, Inc. and is used under license.

| N. | Descrizione it | Description en | Description fr | Beschreibung de | Descripción es | Descrição pt |
|-----|--|---|---|---|---|---|
| 1 | Corpo pompa completo | Complete pump body | Corps de pompe complete | Kompletter pumpengehäuse | Caja bomba completa | Corpo da bomba complete |
| 2 | Girante e anelli di usura | Impeller and wear rings | Roue et anneaux d'usure | Lauftrad und Verschleißringe | Rodete y anillos de desgaste | Impulsor e anéis compensadores de desgaste |
| 3 | Disco portatenuta (con anello di usura) | Seal housing disc (with wear ring) | Disque d'étanchéité (avec anneau d'usure) | Dichtungsscheibe (mit Ausgleichsring) | Disco de alojamiento retén (con anillo de desgaste) | Disco porta-vedante (com anel compensador de desgaste) |
| 4 | Lanterna | Adaptor | Lanterne | Antriebslaterne | Adaptador | Adaptador |
| 5 | Rasamento anteriore | Front wear plate | Bague pour régulation du jeu axial avant | Vordere Ausgleichsscheibe | Espesor delantero | Casquilho anterior |
| 6 | Rasamento posteriore | Back wear plate | Bague pour régulation du jeu axial arrière | Hintere Ausgleichsscheibe | Espesor trasero | Casquilho posterior |
| 7 | Tenuta meccanica e guarnizione OR | Mechanical seal and O-Ring | Garniture mécanique et joint torique | Gleitringdichtung und O-Ring | Retén mecánico y aro tórico | Vedante mecánico e vedação OR |
| 8 | Guarnizione OR | O-Ring | Joint torique | O-Ring | Aro tórico | Vedação OR |
| 9 | Motore completo | Complete motor | Moteur complet | Kompletter Motor | Motor completo | Motor complete |
| 9A | Motore completo (solo 4 poli grandezza 71) | Complete motor (4-poles size 71 only) | Moteur complet (uniquement 4 pôles taille 71) | Kompletter Motor (nur 4polig Größe 71) | Motor completo (só 4 polos tamaño 71) | Motor complete (só 4 pólos grandezza 71) |
| 10 | Gruppo fissaggio girante (dado, rosetta e linguetta) | Impeller locking group (nut, washer and key) | Groupe de fixation roue (ecrou, rondelle et clavette) | Befestigungsgruppe Lauftrads auf (Feststellmutter, Unterlegscheibe und Passfeder) | Grupo de fijación rodete (tuerca, arandela y lengüeta) | Grupo de fixação do impulsor (porca, anilha e lingueta) |
| 10A | Giunto con gruppo fissaggio girante (solo 4 poli grandezza 71) | Coupling with impeller locking group (4-poles size 71 only) | Manchon avec groupe de fixation roue (uniquement 4 pôles taille 71) | Kupplung mit Befestigungsgruppe Lauftrad (nur 4polig Größe 71) | Junta con grupo de fijación rodete (só 4 polos tamaño 71) | Junta com grupo de fixação do impulsor (só 4 pólos grandezza 71) |
| 11 | Piede di sostegno | Support foot | Pied d'appui | Stützfuß | Pie de soporte | Pé de apoio |
| 14 | Kit tappi | Plug kit | Kit bouchons | Verschlusssschrauben-Kit | Kit tapones | Kit tampões |
| N. | Beschrijving nl | Περιγραφή el | Açıklama tr | Kuvaus fi | Описание ru | Opis pl |
| 1 | Compleet pomphuis | Πλήρες σώμα αντλίας | Komple pompa gövdesi | Täydellinen pumpun runko | Полный корпус насоса | Kompletny korpus pompy |
| 2 | Waaier en slijtringen | Πτερύγιο και δακτύλιοι τριβής | Pompa rotoru ve aşınma halkaları | Juoksupyörä ja kulumisrenkaat | Рабочее колесо и изнашиваемые кольца | Wirnik i pierścienie wymienne |
| 3 | Dichtingssteunplaat (met slijtring) | Δίσκος μηχανικού στυποθήπιτης και δακτύλιος τριβής | Sızdırmazlık diski (aşınma halkası ile) | Tiivisteenn kannatuslevy (kulumisrenkaalla) | Диск держателя прокладки (с изнашиваемым кольцом) | Tarcza uszczelki (z wymiennym pierścieniem) |
| 4 | Lantaarnstuk | Μπρακέτο | Adaptör | Sovitin | Адаптер | Lampa |
| 5 | Voorste schraapring | Πρόσθιος δακτύλιος τριβής | Ön ara halkası | Etuväilievly | Передняя утолщающая прокладка | Wyglądanie przednie |
| 6 | Achterste schraapring | Οπίσθιος δακτύλιος τριβής | Arka ara halkası | Takavälievly | Задняя утолщающая прокладка | Wyglądanie tylne |
| 7 | Mechanische asafdichting en O-ringafdichting | Μηχανικός στυποθήπιτης και ροδέλες στεγανοποίησης | Mekanik conta ve O-Ring | Mekaaninen tiiviste ja O-rengas | Механическая прокладка и уплотнение OR | Uszczelnienie mechaniczne i uszczelka O-Ring |
| 8 | O-ringafdichting | Ροδέλα στεγανοποίησης | O-Ring | O-rengas | Прокладка OR | Uszczelka O-Ring |
| 9 | Complete motor | Πλήρης κινητήρας | Komple motor | Täydellinen moottori | Укомплектованный двигатель | Kompletny silnik |
| 9A | Complete motor (alleen 4-polig grootte 71) | Πλήρης κινητήρας (τετραπολικό μόνο μεγέθους 71) | Komple motor (sadece 4 kutuplu; boyu: 71) | Täydellinen moottori (ainoastaan 4 napaa, koko 71) | Укомплектованный двигатель (только 4 полюса величина 71) | Kompletny silnik (tylko 4 bieguny wielkość 71) |
| 10 | Waaierbevestigingsblok (moer, ring en spie) | Σετ ασφάλισης περυσίου (παξιμάδι, ροδέλα, σφήνα) | Pompa rotorunu sabitleme takımı (somun, rondela ve kama) | Juoksupyörän kiinnityskokonaisuus (mutteri, välirengas ja kiila) | Узел фиксации рабочего колеса (гайка, шайба и шпонка) | Zespół mocujący wirnika (nakrętka, podkładka i wpust) |
| 10A | Koppeling met waaierbevestigingsblok (alleen 4-polig grootte 71) | Προέκταση άξονα και σετ ασφάλισης περυσίου | Pompa rotorunu sabitleme takımı ile mafsal (sadece 4 kutuplu; boyu: 71) | Liitos juoksupyörän kiinnityskokonaisuudella (ainoastaan 4 napaa, koko 71) | Соединение с узлом фиксации рабочего колеса (только 4 полюса величина 71) | Złącze z zespołem mocującym wirnika (tylko 4 bieguny wielkość 71) |
| 11 | Steunpoot | Πέλμα στήριξης | Destek ayağı | Tukijalka | Опорная ножка | Nóżka wspornikowa |
| 14 | Stoppenset | Σετ ταπών | Tapa kiti | Tulppasarja | Набор пробок | Zestaw zatyczek |



SSH Seals Kits

| MECH. SEALS | | D.22 VBVGG | D.28 VBVGG | D.33 VBVGG | D.22 VBEGGG | D.28 VBEGG | D.33 VBEGG |
|-----------------------|----|------------|------------|------------|-------------|------------|------------|
| O-Ring | | | | | | | |
| ELASTOMER D. 158 FPM | 1 | A | | | | | |
| ELASTOMER D. 189 FPM | 2 | | | | | | |
| ELASTOMER D. 221 FPM | 3 | | | | | | |
| ELASTOMER D. 247 FPM | 4 | B | C | D | | | |
| ELASTOMER D. 278 FPM | 5 | | | | | | |
| ELASTOMER D. 304 FPM | 6 | | | | | | |
| ELASTOMER D. 158 EPDM | 7 | | | | A | | |
| ELASTOMER D. 189 EPDM | 8 | | | | | | |
| ELASTOMER D. 221 EPDM | 9 | | | | | | |
| ELASTOMER D. 247 EPDM | 10 | | | | B | C | |
| ELASTOMER D. 278 EPDM | 11 | | | | | | |
| ELASTOMER D. 304 EPDM | 12 | | | | | | |

Each section with bolded outline indicates a single KIT

SHEM 25 - SHE 25 - SHE4 25

| | 25-125/07/A | 25-125/11/A | 25-160/15/A | | | | | | |
|-------------|--------------|-------------|-------------|-------------|-------------|-------------|-------------|-------------|--------------|
| | 25-125/07/C | 25-125/11/C | 25-160/15/C | 25-160/22/C | 25-200/30/P | 25-200/40/P | 25-250/55/P | 25-250/75/P | 25-250/110/P |
| ELP 1 ~, 2P | TBD | 107410510 | 107410520 | | | | | | |
| ELP 3 ~, 2P | 104330000 | 104330010 | 104330030 | 104330040 | 101290004 | 101290005 | 101290010 | 101290011 | 101290012 |
| kw -> | 0,75 | 1,1 | 1,5 | 2,2 | 3,0 | 4,0 | 5,5 | 7,5 | 11,0 |
| | 25-125/02A/A | 25-125/02/A | 25-160/02/A | 25-160/03/A | 25-200/03/A | 25-200/05/A | 25-250/07/C | 25-250/11/P | 25-250/15/P |
| ELP 3 ~, 4P | 107410600 | 107410610 | 107410620 | 107410630 | 107410640 | 107410650 | 104332100 | 101295011 | 101295012 |
| kw -> | 0,25 | 0,25 | 0,25 | 0,37 | 0,37 | 0,55 | 0,75 | 1,10 | 1,50 |

Kit

| | Dia - Ø | 119 | 136 | 150 | 164 | 188 | 205 | 222 | 242 | 256 |
|----|-------------|---------|---------|---------|---------|---------|---------|---------|---------|---------|
| 2* | Impeller 2P | KL04AA9 | KL04ABA | KL04ABB | KL04ABC | KL04ABD | KL04ABE | KL04ACK | KL04ACL | KL04ACM |
| | Impeller 4P | KL04AA9 | KL04ABA | KL04ABB | KL04ABC | KL04ABD | KL04ABE | KL04ACK | KL04ACL | KL04ACM |

| | | | | | | | | | |
|-----|----------------------|--------------|----------------|--------------|----------------|---------------------------------|------------------|--------------------------|--|
| 7* | Material--> | VBVGG | Q1Q1VGG | VBEGG | Q1Q1EGG | STD -> Mech Seal VBVGG - OR FPM | | | |
| | Mech Seal kits | KL01AA0 | KL01ACN | KL01ACS | KL01ACW | 2P->200/40; 4P -> 200/05 | | Seal D:22-OR 158/189/221 | |
| | | KL01AA3 | KL01ACP | KL01ACT | KL01ACX | 2P->250/110; 4P ->250/15 | | Seal D:22-OR 247/278 | |
| 8* | OR FPM Kit | KL02AAP | 2P ->160/15 | | 4P ->160/02 | | D:158 | | |
| | | KL02AAQ | 2P ->160/22 | | 4P ->160/03 | | D:189 | | |
| | | KL02AAR | 2P ->200/40 | | 4P ->200/05 | | D:221 | | |
| | | KL02AAS | 2P ->250/110 | | 4P ->250/15 | | D:247 Incl. 2 OR | | |
| | OR EPDM Kit | KL02AAV | 2P ->160/15 | | 4P ->160/02 | | D:158 | | |
| | | KL02AAW | 2P ->160/22 | | 4P ->160/03 | | D:189 | | |
| | | KL02AAX | 2P ->200/40 | | 4P ->200/05 | | D:221 | | |
| | | KL02AAY | 2P ->250/110 | | 4P ->250/15 | | D:247 Incl. 3 OR | | |
| 10 | Imp. lock kit M12 | KL39AAA | | | | | | | |
| 10A | Coupling 4P D18 | KL10AAG | 4P -> 200/03 | | | | | | |
| 14 | Fill-Drain plug FPM | KL34AAB | | | | | | | |
| | Fill-Drain plug EPDM | KL34AAC | | | | | | | |

Single Unit

| | | | | | | | | | | |
|----|--------------|-----------|-----------|-----------|-----------|-----------|-----------|-----------|-----------|-----------|
| 1 | Pump body | 151380440 | 151380440 | 151380450 | 151380450 | 151380460 | 151380460 | 151380480 | 151380480 | 151380480 |
| 11 | Support foot | 161401830 | 161401830 | 161401841 | 161401841 | 161401851 | 161401851 | 161401871 | 161401871 | 161401871 |

| | | | | | | | | | | |
|------|-------------------|-----------|-----------|-----------|-----------|-----------|-----------|-----------|-----------|-----------|
| 3 | Seal housing disc | 160102000 | 160102000 | 160102010 | 160102010 | 150102220 | 160102020 | 150102230 | 150102230 | 150102230 |
| 4 | Adaptor 2P | 161430100 | 161430100 | 161430110 | 161430110 | 161453120 | 161430170 | 161453170 | 161452440 | 161452440 |
| | Adaptor 4P | 161430150 | 161430150 | 161430160 | 161430160 | 161430170 | 161453120 | 161452440 | 161452440 | 161452440 |
| 5 | Wear ring | 168601491 | 168601491 | 168601491 | 168601491 | 168601491 | 168601491 | 168601491 | 168601491 | 168601491 |
| 6 | Back wear ring | | | | | 465020201 | | 465020201 | 465020201 | 465020201 |
| 9** | Motor 1~, 2P | 107230250 | 107230260 | 107230270 | | | | | | |
| | Motor 3 ~, 2P | 107230230 | 107230240 | 50000RN00 | 50001RN00 | 50002RH00 | 50008VN00 | 50013VH00 | 50017VH00 | 50019VH00 |
| | Motor 3 ~, 4P | | | | | | 107230830 | 107241530 | 50005RS00 | 50006RS00 |
| 9A** | Motor 3 ~, 4P | 107230620 | 107230620 | 107230620 | 107230680 | 107230680 | | | | |

* Recommended spare parts - Parti di ricambio consigliate

* Pièces détachées conseillées - Empfohlene Ersatzteile

** Motor spare parts: see motor lists - Parti di ricambio motore: vedi liste motore

** Pièces détachées Moteur : voir listes moteur - Motor-Ersatzteile: gem. Motorlisten

SHEM 32 - SHE 32 - SHE4 32

| | | | | | | | | | |
|-------------|----------------------|--------------------|--------------------|--------------------|--------------------|--------------------|--------------------|--------------------|---------------------|
| | 32-125/07/A | 32-125/11/A | 32-160/15/A | 32-160/22/P | | | | | |
| ELP 1 ~, 2P | 107410540 | 107410550 | 107410560 | 101293050 | | | | | |
| | 32-125/07/C | 32-125/11/C | 32-160/15/C | 32-160/22/C | 32-200/30/P | 32-200/40/P | 32-250/55/P | 32-250/75/P | 32-250/110/P |
| ELP 3 ~, 2P | 104330050 | 104330060 | 104330070 | 104330080 | 101290060 | 101290070 | 101290090 | 101290100 | 101290110 |
| kW -> | 0,75 | 1,1 | 1,5 | 2,2 | 3,0 | 4,0 | 5,5 | 7,5 | 11,0 |
| | 32-125/02/A/A | 32-125/02/A | 32-160/02/A | 32-160/03/A | 32-200/03/A | 32-200/05/A | 32-250/07/C | 32-250/11/P | 32-250/15/P |
| ELP 3 ~, 4P | 107410680 | 107410690 | 107410700 | 107410710 | 107410720 | 107410730 | 104332150 | 101295100 | 101295110 |
| kW -> | 0,25 | 0,25 | 0,25 | 0,37 | 0,37 | 0,55 | 0,75 | 1,10 | 1,50 |

Kit

| | | | | | | | | | | |
|----|-------------|---------|---------|---------|---------|---------|---------|---------|---------|---------|
| | Dia - Ø | 119 | 136 | 150 | 164 | 188 | 205 | 222 | 242 | 256 |
| 2* | Impeller 2P | KL04AA9 | KL04ABA | KL04ABB | KL04ABC | KL04ABD | KL04ABE | KL04ACK | KL04ACL | KL04ACM |
| | Impeller 4P | KL04AA9 | KL04ABA | KL04ABB | KL04ABC | KL04ABD | KL04ABE | KL04ACK | KL04ACL | KL04ACM |

| | | | | | | | | | | | |
|-----|----------------------|--------------|-------------------------|--------------|------------------------|--|-------|--|--------------------------|--|--|
| 7* | Material--> | VBVGG | Q1Q1VGG | VBEGG | Q1Q1EGG | STD -> Mech Seal VBVGG - OR FPM | | | | | |
| | Mech Seal kits | KL01AA0 | KL01ACN | KL01ACS | KL01ACW | 2P->200/40; 4P -> 200/05 | | | Seal D:22-OR 158/189/221 | | |
| | | KL01AA3 | KL01ACP | KL01ACT | KL01ACX | 2P->250/110; 4P -> 250/15 | | | Seal D:22-OR 247/278 | | |
| 8* | OR FPM Kit | KL02AAP | 2P -> 160/15 | | 4P -> 160/02 | | D:158 | | | | |
| | | KL02AAQ | 2P -> 160/22 | | 4P -> 160/03 | | D:189 | | | | |
| | | KL02AAR | 2P -> 200/40 | | 4P -> 200/05 | | D:221 | | | | |
| | | KL02AAS | 2P -> 250/110 | | 4P -> 250/15 | | D:247 | | Incl. 2 OR | | |
| | OR EPDM Kit | KL02AAV | 2P -> 160/15 | | 4P -> 160/02 | | D:158 | | | | |
| | | KL02AAW | 2P -> 160/22 | | 4P -> 160/03 | | D:189 | | | | |
| | | KL02AAX | 2P -> 200/40 | | 4P -> 200/05 | | D:221 | | | | |
| | | KL02AAY | 2P -> 250/110 | | 4P -> 250/15 | | D:247 | | Incl. 3 OR | | |
| 10 | Imp. lock kit M12 | KL39AAA | | | | | | | | | |
| 10A | Coupling 4P D18 | KL10AAG | 4P -> 200/03 | | | | | | | | |
| 14 | Fill-Drain plug FPM | KL34AAB | | | | | | | | | |
| | Fill-Drain plug EPDM | KL34AAC | | | | | | | | | |

Single Unit

| | | | | | | | | | | |
|------|-------------------|-----------|-----------|-----------|-----------|-----------|-----------|-----------|-----------|-----------|
| 1 | Pump body | 151380040 | 151380040 | 151380050 | 151380050 | 151380060 | 151380060 | 151380070 | 151380070 | 151380070 |
| 11 | Support foot | 161401831 | 161401831 | 161405710 | 161405710 | 161401851 | 161401851 | 161401871 | 161401871 | 161401871 |
| 3 | Seal housing disc | 160102000 | 160102000 | 160102010 | 160102010 | 150102220 | 160102020 | 150102230 | 150102230 | 150102230 |
| 4 | Adaptor 2P | 161430100 | 161430100 | 161430110 | 161430110 | 161453120 | 161430170 | 161453170 | 161452440 | 161452440 |
| | Adaptor 4P | 161430150 | 161430150 | 161430160 | 161430160 | 161430170 | 161453120 | 161452440 | 161452440 | 161452440 |
| 5 | Wear ring | 168601491 | 168601491 | 168601491 | 168601491 | 168601491 | 168601491 | 168601491 | 168601491 | 168601491 |
| 6 | Back wear ring | | | | | 465020201 | | 465020201 | 465020201 | 465020201 |
| 9** | Motor 1 ~, 2P | 107230250 | 107230260 | 107230270 | | | | | | |
| | Motor 3 ~, 2P | 107230230 | 107230240 | 50000RN00 | 50001RN00 | 50002RH00 | 50008VN00 | 50013VH00 | 50017VH00 | 50019VH00 |
| | Motor 3 ~, 4P | | | | | | 107230830 | 107241530 | 50005RS00 | 50006RS00 |
| 9A** | Motor 3 ~, 4P | 107230620 | 107230620 | 107230620 | 107230680 | 107230680 | | | | |

* Recommended spare parts - Parti di ricambio consigliate

* Pièces détachées conseillées - Empfohlene Ersatzteile

** Motor spare parts: see motor lists - Parti di ricambio motore: vedi liste motore

** Pièces détachées Moteur : voir listes moteur - Motor-Ersatzteile: gem. Motorlisten

SHE_32-80_5_June11_EdB

SHEM 40 - SHE 40 - SHE4 40

| | | | | | | | | | | |
|-------------|---------------------|--------------------|---------------------|--------------------|--------------------|--------------------|--------------------|--------------------|---------------------|---------------------|
| | 40-125/11/A | 40-125/15/A | 40-125/22/P | | | | | | | |
| ELP 1 ~, 2P | 107410580 | 107410590 | 101293070 | | | | | | | |
| | 40-125/11/C | 40-125/15/C | 40-125/22/C | 40-160/30/P | 40-160/40/P | 40-200/55/P | 40-200/75/P | 40-250/92/P | 40-250/110/P | 40-250/150/P |
| ELP 3 ~, 2P | 104330090 | 104330100 | 104330110 | 101290180 | 101290190 | 101290210 | 101290220 | 101290230 | 101290240 | 101290250 |
| kW -> | 1,1 | 1,5 | 2,2 | 3,0 | 4,0 | 5,5 | 7,5 | 9,2 | 11,0 | 15,0 |
| | 40-125/02A/A | 40-125/02/A | 40-125/03 /A | 40-160/03/A | 40-160/05/A | 40-200/07/C | 40-200/11/P | 40-250/11/P | 40-250/15/P | 40-250/22/P |
| ELP 3 ~, 4P | 107410760 | 107410770 | 107410780 | 107410790 | 107410800 | 104332220 | 101295210 | 101295230 | 101295240 | 101295250 |
| kW -> | 0,25 | 0,25 | 0,37 | 0,37 | 0,55 | 0,75 | 1,1 | 1,1 | 1,5 | 2,2 |

Kit

| | | | | | | | | | | | |
|----|-------------|-----------|-----------|---------|---------|---------|---------|---------|---------|---------|---------|
| | Dia - Ø | 112 - 119 | 126 - 135 | 143 | 159 | 171 | 190 | 209 | 218 | 233 | 251 |
| 2* | Impeller 2P | KL04ABF | KL04ABG | KL04ABH | KL04ABK | KL04ABL | KL04ABM | KL04ABN | KL04ABP | KL04ABQ | KL04ABR |
| | Impeller 4P | KL04ABF | KL04AK8 | KL04ABH | KL04ABK | KL04ABL | KL04ABM | KL04ABN | KL04ABP | KL04ABQ | KL04ABR |

| | | | | | | | | | | | |
|---------|---------------------|--------------|--------------------------------------|--------------|----------------------------------|---|---------------|-----------------------------|---------------------------------|-------------------|--|
| 7* | Material--> | VBVGG | Q1Q1VGG | VBEGG | Q1Q1EGG | STD -> Mech Seal VBVGG - OR FPM | | | | | |
| | Mech Seal kits | KL01AA0 | KL01ACN | KL01ACS | KL01ACW | 2P -> 200/75; 4P ->200/11 | | | Seal D:22-OR 158/189/221 | | |
| | | KL01AA3 | KL01ACP | KL01ACT | KL01ACX | 2P -> 250/110; 4P ->250/15 | | | Seal D:22-OR 247/278 | | |
| KL01ACL | | KL01ACQ | KL01ACU | KL01ACY | 2P - 250/150; 4P - 250/22 | | | Seal D:28-OR 247/278 | | | |
| 8* | OR FPM Kit | KL02AAP | 2P -> 125/22 | | 4P -> 125/03 | | D: 158 | | | | |
| | | KL02AAQ | 2P -> 160/40 | | 4P -> 160/05 | | D: 189 | | | | |
| | | KL02AAR | 2P -> 200/75 | | 4P -> 200/11 | | D: 221 | | | | |
| | | KL02AAT | 2P -> 250/150 | | 4P -> 250/22 | | D: 278 | | | Incl. 2 OR | |
| | OR EPDM Kit | KL02AAV | 2P -> 125/22 | | 4P -> 125/03 | | D: 158 | | | | |
| | | KL02AAW | 2P -> 160/40 | | 4P -> 160/05 | | D: 189 | | | | |
| | | KL02AAX | 2P -> 200/75 | | 4P -> 200/11 | | D: 221 | | | | |
| | | KL02AAZ | 2P -> 250/150 | | 4P -> 250/22 | | D: 278 | | | Incl. 3 OR | |
| 10 | Imp.lock kit D:12 | KL39AAA | 2P->250/110; 4P->250/15 | | | | | | | | |
| | Imp.lock kit D:16 | KL39AAB | 2P: 250/150; 4P: 250/22 | | | | | | | | |
| 10A | Coupling 4P D:12 | KL10AAG | 4P ->160/03 | | | | | | | | |
| 14 | Fill-Drain plug FPM | KL34AAB | | | | | | | | | |
| | Fill-Drain plug EPD | KL34AAC | | | | | | | | | |

Single Unit

| | | | | | | | | | | | |
|------|-------------------|-----------|-----------|-----------|-----------|-----------|-----------|-----------|-----------|-----------|-----------|
| 1 | Pump body | 151380080 | 151380080 | 151380080 | 151380090 | 151380090 | 151380100 | 151380100 | 151380110 | 151380110 | 151380110 |
| 11 | Support foot 2P | 161401831 | 161401831 | 161401831 | 161405710 | 161405710 | 161401851 | 161401851 | 151401420 | 161401871 | 161401871 |
| | Support foot 4P | 161401831 | 161401831 | 161401831 | 161405710 | 161405710 | 161401851 | 161401851 | 161401871 | 161401871 | 161401871 |
| 3 | Seal-housing disc | 160102040 | 160102040 | 160102040 | 150102210 | 150102210 | 150102220 | 150102220 | 150102230 | 150102230 | 150102271 |
| 4 | Adaptor 2P | 161430100 | 161430100 | 161430100 | 161430110 | 161430160 | 161430170 | 161430210 | 161452440 | 161452440 | 161453110 |
| 4 | Adaptor 4P | 161430150 | 161430150 | 161430150 | 161430160 | 161430110 | 161430210 | 161430210 | 161452440 | 161452440 | 161453110 |
| 5 | Wear ring | 168601500 | 168601500 | 168601500 | 168601500 | 168601500 | 168601500 | 168601500 | 168601511 | 168601511 | 168601511 |
| 6 | Back wear ring | | | | 465020201 | 465020201 | 465020201 | 465020201 | 465020201 | 465020201 | 465020201 |
| 9** | Motor 1 ~, 2P | 107230260 | 107230270 | 50004HH00 | | | | | | | |
| | Motor 3 ~,2P | 107230240 | 50000RN00 | 50001RN00 | 50002RH00 | 50008VN00 | 50013VH00 | 50017VH00 | 50018VH00 | 50019VH00 | 50024VR00 |
| | Motor 3 ~, 4P | | | | | 107230830 | 107241530 | 50005RS00 | 50005RS00 | 50006RS00 | 50010RT00 |
| 9A** | Motor 3 ~, 4P | 107230620 | 107230620 | 107230680 | 107230680 | | | | | | |

* Recommended spare parts - Parti di ricambio consigliate

* Pièces détachées conseillées - Empfohlene Ersatzteile

** Motor spare parts: see motor lists - Parti di ricambio motore: vedi liste motore

** Pièces détachées Moteur : voir listes moteur - Motor-Ersatzteile: gem. Motorlisten

SHE_32-80_5_June11_EdB

SHE 50 - SHE4 50

| | 50-125/22/C | 50-125/30/P | 50-125/40/P | 50-160/55/P | 50-160/75/P | 50-200/92/P | 50-200/110/P | 50-250/150/P | 50-250/185/P | 50-250/220/P |
|-------------|---------------------|--------------------|--------------------|--------------------|--------------------|--------------------|--------------------|---------------------|--------------------|--------------------|
| ELP 3 ~, 2P | 104330120 | 101290290 | 101290300 | 101290310 | 101290320 | 101290330 | 101290340 | 101290350 | 101290360 | 101290370 |
| kW-> | 2,2 | 3,0 | 4,0 | 5,5 | 7,5 | 9,2 | 11,0 | 15,0 | 18,5 | 22,0 |
| | 50-125/03A/A | 50-125/03/A | 50-125/05/A | 50-160/07/C | 50-160/11/P | 50-200/11/P | 50-200/15/P | 50-250/22A/P | 50-250/22/P | 50-250/30/P |
| ELP3~, 4P | 107410830 | 107410840 | 107410850 | 104332240 | 101295320 | 101295330 | 101295340 | 101295350 | 101295360 | 101295370 |
| kW-> | 0,37 | 0,37 | 0,55 | 0,75 | 1,1 | 1,1 | 1,5 | 2,2 | 2,2 | 3,0 |

Kit

| | Dia - Ø | 119 | 130 | 139 | 158 | 174 | 197 | 209 | 224 | 237 | 250 |
|----|-------------|---------|---------|---------|---------|---------|---------|---------|---------|---------|---------|
| 2* | Impeller 2P | KL04ABS | KL04ABT | KL04ABU | KL04ABV | KL04ABW | KL04ABX | KL04ABY | KL04ABZ | KL04AB0 | KL04AB1 |
| | Impeller 4P | KL04ABS | KL04ABT | KL04ABU | KL04ABV | KL04ABW | KL04ABX | KL04ABY | KL04ABZ | KL04AB0 | KL04AB1 |

| | | | | | | | | | | | |
|-----|----------------------|--------------|---------------------------------------|--------------|------------------------|--|---------------|--|---------------------------------|------------|--|
| 7* | Material--> | VBVGG | Q1Q1VGG | VBEGG | Q1Q1EGG | STD -> Mech Seal VBVGG - OR FPM | | | | | |
| | Mech Seal kits | KL01AA0 | KL01ACN | KL01ACS | KL01ACW | 2P -> 160/75; 4P -> 160/11 | | | Seal D:22-OR 158/189/221 | | |
| | | KL01AA3 | KL01ACP | KL01ACT | KL01ACX | 2P -> 200/110; 4P -> 200/15 | | | Seal D:22-OR 247/278 | | |
| | | KL01ACL | KL01ACQ | KL01ACU | KL01ACY | 2P -> 250/220; 4P -> 250/30 | | | Seal D:28-OR 247/278 | | |
| 8* | OR FPM Kit | KL02AAQ | 2P -> 160/75 | | 4P -> 160/11 | | D: 189 | | | Incl. 2 OR | |
| | | KL02AAS | 2P -> 200/110 | | 4P -> 200/15 | | D: 247 | | | | |
| | | KL02AAT | 2P -> 250/220 | | 4P -> 250/30 | | D: 278 | | | | |
| | OR EPDM Kit | KL02AAW | 2P -> 160/75 | | 4P -> 160/11 | | D: 189 | | | Incl. 3 OR | |
| | | KL02AAY | 2P -> 200/110 | | 4P -> 200/15 | | D: 247 | | | | |
| | | KL02AAZ | 2P -> 250/220 | | 4P -> 250/30 | | D: 278 | | | | |
| 10 | Imp.lock kit M12 | KL39AAA | 2P->200/110; 4P->200/15 | | | | | | | | |
| | Imp.lock kit M16 | KL39AAB | 2P ->250/220; 4P->250/30 | | | | | | | | |
| 10A | Coupling 4P D:18 | KL10AAG | 4P-> 125/03 | | | | | | | | |
| 14 | Fill-Drain plug FPM | KL34AAB | | | | | | | | | |
| | Fill-Drain plug EPDM | KL34AAC | All Versions | | | | | | | | |

Single Unit

| | | | | | | | | | | | |
|------|-------------------|------------------|------------------|------------------|------------------|------------------|------------------|------------------|------------------|------------------|------------------|
| 1 | Pump body | 151380120 | 151380120 | 151380120 | 151380130 | 151380130 | 151380140 | 151380140 | 151380150 | 151380150 | 151380150 |
| 11 | Support foot 2P | 161405710 | 161405710 | 161405710 | 161401841 | 161401841 | 161401891 | 161401891 | On Motor | On Motor | On Motor |
| | Support foot 4P | 161405710 | 161405710 | 161405710 | 161401841 | 161401841 | 161401891 | 161401891 | 161401871 | 161401871 | 161401871 |
| 3 | Seal housing disc | 150102280 | 150102280 | 150102280 | 150102280 | 150102280 | 150102300 | 150102300 | 150102271 | 150102271 | 150102271 |
| 4 | Adaptor 2P | 161430110 | 161430110 | 161430160 | 161430160 | 161430200 | 161452430 | 161452430 | 161453110 | 161453110 | 161453110 |
| | Adaptor 4P | 161430160 | 161430160 | 161430110 | 161430200 | 161430200 | 161452430 | 161452430 | 161453110 | 161453110 | 161453110 |
| 5 | Wear ring | 168601511 | 168601511 | 168601511 | 168601511 | 168601511 | 168601511 | 168601511 | 168601511 | 168601511 | 168601511 |
| 6 | Back wear ring | 465020201 | 465020201 | 465020201 | 465020201 | 465020201 | 465020201 | 465020201 | 465020201 | 465020201 | 465020201 |
| 9** | Motor 3 ~, 2P | 50001RN00 | 50002RH00 | 50008VN00 | 50013VH00 | 50017VH00 | 50018VH00 | 50019VH00 | 50024VR00 | 50025VR00 | 50026VR00 |
| | Motor 3 ~, 4P | | | 107230830 | 107241530 | 50005RS00 | 50005RS00 | 50006RS00 | 50010RT00 | 50010RT00 | 50011RT00 |
| 9A** | Motor 3 ~, 4P | 107230680 | 107230680 | | | | | | | | |

* Recommended spare parts - Parti di ricambio consigliate

* Pièces détachées conseillées - Empfohlene Ersatzteile

** Motor spare parts: see motor lists - Parti di ricambio motore: vedi liste motore

** Pièces détachées Moteur : voir listes moteur - Motor-Ersatzteile: gem. Motorlisten

SHE_32-80_5_June11_EdB

SHE 65 - SHE 65

| | | | | | | | | | | | |
|-------------|--------------------|--------------------|---------------------|--------------------|---------------------|---------------------|---------------------|---------------------|--------------------|--------------------|---------|
| ELP. 3~, 2P | 65-160/40/P | 65-160/55/P | 65-160/75/P | 65-160/92/P | 65-160/110/P | 65-200/150/P | 65-200/185/P | 65-200/220/P | | | |
| | 101290410 | 101290420 | 101290430 | 101290450 | 101290460 | 101290490 | 101290500 | 101290510 | | | |
| kw -> | 4,0 | 5,5 | 7,5 | 9,2 | 11,0 | 15,0 | 18,5 | 22,0 | | | |
| ELP. 3~, 4P | 65-160/05/A | 65-160/07/C | 65-160/11A/P | 65-160/11/P | 65-160/15/P | 65-200/15/P | 65-200/22/P | 65-200/30/P | 65-250/40/P | 65-250/55/P | |
| | 107410880 | 104332260 | 101295420 | 101295430 | 101295460 | 101295480 | 101295490 | 101295500 | 101295520 | 101295530 | |
| kw -> | 0,55 | 0,75 | 1,1 | 1,1 | 1,5 | 1,5 | 2,2 | 3,0 | 4,0 | 5,5 | |
| Kit | | | | | | | | | | | |
| Dia - Ø | 119 | 129 | 137 - 140 | 168 | 177 | 178 - 187 | 203 | 215 | 240 | 255 | |
| 2* | Impeller 2P | KL04AEC | KL04AB3 | KL04AEE | KL04AEF | KL04AEG | KL04AEH | KL04AEK | KL04AEL | | |
| | Impeller 4P | KL04AB2 | KL04AB3 | KL04AB4 | KL04AEF | KL04AEG | KL04ALF | KL04AEK | KL04ALG | KL04ALH | KL04ALK |

| | | | | | | | | | | |
|----|----------------------|--------------|---------------------------------------|--------------|------------------------|--------------------------------------|---------------|--|-----------------------------|--|
| 7* | Material--> | VBVGG | Q1Q1VGG | VBEGG | Q1Q1EGG | STD -> Mech Seal VBVGG - OR FPM | | | | |
| | Mech Seal kits | KL01AA3 | KL01ACP | KL01ACT | KL01ACX | 2P->160/92, 4P->160/11 | | | Seal D:22-OR 247/278 | |
| | | KL01ACL | KL01ACQ | KL01ACU | KL01ACY | 2P->200/220, 4P->250/40 | | | Seal D:28-OR 247/278 | |
| | | KL01ACM | KL01ACR | KL01ACV | KL01ACZ | 4P - 250/55 | | | Seal D:33-OR 278/304 | |
| 8* | OR FPM Kit | KL02AAS | 2P -> 200/220 | | 4P -> 200/30 | | D: 247 | | | |
| | | KL02AAT | | | 4P -> 250/55 | | D: 278 | | Incl. 2 OR | |
| | OR EPDM Kit | KL02AAY | 2P -> 200/220 | | 4P -> 200/30 | | D: 247 | | | |
| | | KL02AAZ | | | 4P -> 250/55 | | D: 278 | | Incl. 3 OR | |
| 10 | Imp.lock kit M12 | KL39AAA | 2P ->160/92; 4P->160/11 | | | | | | | |
| | Imp.lock kit M16 | KL39AAB | 2P ->200/220; 4P->200/30 | | | | | | | |
| | Imp.lock kit M20 | KL39AAC | 4P->250/55 | | | | | | | |
| 14 | Fill-Drain plug FPM | KL34AAB | ->65/160 | | | | | | | |
| | Fill-Drain plug EPDM | KL34AAC | ->65/160 | | | | | | | |
| | Fill-Drain plug FPM | KL34AAD | ->65/250 | | | | | | | |
| | Fill-Drain plug EPDM | KL34AAE | ->65/250 | | | | | | | |

Single Unit 2P

| | | | | | | | | | |
|-----|-------------------|-----------|-----------|-----------|-----------|-----------|-----------|-----------|-----------|
| 1 | Pump body 2P | 151380160 | 151380160 | 151380160 | 151380170 | 151380170 | 151380180 | 151380180 | 151380180 |
| 11 | Support foot 2P | 161401891 | 161401891 | 161401891 | 161401891 | 161401891 | On Motor | On Motor | On Motor |
| 3 | Seal-housing disc | 160102120 | 160102120 | 160102120 | 160102120 | 150102331 | 150102331 | 150102331 | 150102331 |
| 4 | Adaptor | 161453180 | 161453180 | 161452430 | 161452430 | 161452430 | 161453160 | 161453160 | 161453160 |
| 5 | Wear ring | 168601521 | 168601521 | 168601521 | 168601600 | 168601600 | 168601600 | 168601600 | 168601600 |
| 6 | Back wear ring | | | | 168601280 | 168601280 | 168601280 | 168601280 | 168601280 |
| 9** | Motor 3 ~, 2 P | 50008VN00 | 50013VH00 | 50017VH00 | 50018VH00 | 50019VP00 | 50024VR00 | 50025VR00 | 50026VR00 |

Single Unit 4P

| | | | | | | | | | | | |
|-----|-------------------|-----------|-----------|-----------|-----------|-----------|-----------|-----------|-----------|-----------|-----------|
| 1 | Pump body | 151380160 | 151380160 | 151380160 | 151380170 | 151380170 | 151380180 | 151380180 | 151380180 | 151380190 | 151380190 |
| 11 | Support foot | 161401891 | 161401891 | 161401891 | 161401891 | 161401891 | 161405810 | 161405810 | 161405810 | 161405730 | 161405730 |
| 3 | Seal-housing disc | 160102120 | 160102120 | 160102120 | 160102120 | 150102331 | 150102331 | 150102331 | 150102331 | 150102351 | 150102352 |
| 4 | Adaptor | 161452430 | 161452430 | 161452430 | 161452430 | 161452430 | 161452430 | 161453160 | 161453160 | 161452920 | 161452910 |
| 5 | Wear ring | 168601521 | 168601521 | 168601521 | 168601600 | 168601600 | 168601600 | 168601600 | 168601600 | 168601600 | 168601600 |
| 6 | Back wear ring | | | | | 168601280 | 168601280 | 168601280 | 168601280 | 168601280 | 168601280 |
| 9** | Motor 3 ~, 4P | 107230840 | 107241530 | 50005RS00 | 50005RS00 | 50006RT00 | 50006RT00 | 50010RT00 | 50011RT00 | 50015VT00 | 50020VJ00 |

* Recommended spare parts - Parti di ricambio consigliate

* Pièces détachées conseillées - Empfohlene Ersatzteile

** Motor spare parts: see motor lists - Parti di ricambio motore: vedi liste motore

** Pièces détachées Moteur : voir listes moteur - Motor-Ersatzteile: gem. Motorlisten

SHE 80 - SHE4 80

| | 80-160/110/P | 80-160/150/P | 80-160/185/P | 80-200/220/P | | | | |
|-------------|--------------|--------------|--------------|--------------|-------------|-------------|-------------|--------------|
| ELP 3 ~, 2P | 101290570 | 101290580 | 101290590 | 101290610 | | | | |
| kw -> | 11,0 | 15,0 | 18,5 | 22,0 | | | | |
| | 80-160/15/P | 80-160/22A/P | 80-160/22/P | 80-200/30/P | 80-200/40/P | 80-250/55/P | 80-250/75/P | 80-250/110/P |
| ELP 3 ~, 4P | 101295560 | 101295570 | 101295580 | 101295590 | 101295600 | 101295630 | 101295640 | 101295650 |
| kw -> | 1,5 | 2,2 | 2,2 | 3,0 | 4,0 | 5,5 | 7,5 | 9,2 |

Kit

| | Dia - Ø | 169 | 177 | 186 | 198 | 220 | 237 | 252 | 270 |
|----|--------------|---------|---------|---------|---------|---------|---------|---------|---------|
| 2* | Impeller, 2P | KL04ALL | KL04ALM | KL04ALN | KL04ALP | | | | |
| | Impeller, 4P | KL04ALL | KL04ALM | KL04ALN | KL04ALP | KL04ALQ | KL04ALR | KL04ALS | KL04ALT |

| | | | | | | | | |
|----|----------------------|--------------|-----------------------------------|--------------|------------------------|--------------------------------------|--------|----------------------|
| 7* | Material--> | VBVGG | Q1Q1VGG | VBEGG | Q1Q1EGG | STD -> Mech Seal VBVGG - OR FPM | | |
| | Mech Seal kits | KL01ACL | KL01ACQ | KL01ACU | KL01ACY | 2P->200/220, 4P->200/40 | | Seal D:28-OR 247/278 |
| | | KL01ACM | KL01ACR | KL01ACV | KL01ACZ | 4P - 250/92 | | Seal D:33-OR 278/304 |
| 8* | OR FPM Kit | KL02AAT | 2P -> 200/220 | | 4P -> 200/40 | | D: 278 | |
| | | KL02AAU | | | 4P -> 250/92 | | D: 304 | Incl. 2 OR |
| | OR EPDM Kit | KL02AAZ | 2P -> 200/220 | | 4P -> 200/40 | | D: 278 | |
| | | KL02AA0 | | | 4P -> 250/92 | | D: 304 | Incl. 3 OR |
| 10 | Imp.lock kit M16 | KL39AAB | 2P, All; 4P->200/40 | | | | | |
| | Imp.lock kit M20 | KL39AAC | 4P->250/92 | | | | | |
| 14 | Fill-Drain plug FPM | KL34AAD | All Versions (->65/250) | | | | | |
| | Fill-Drain plug EPDM | KL34AAE | All Versions (->65/250) | | | | | |

Single Unit, 2P

| | | | | | |
|----|--------------|-----------|-----------|-----------|-----------|
| 1 | Pump body | 151380210 | 151380210 | 151380210 | 151380220 |
| 11 | Support foot | 161401871 | On Motor | On Motor | On Motor |

| | | | | | |
|-----|-------------------|-----------|-----------|-----------|-----------|
| 3 | Seal-housing disc | 150102371 | 150102371 | 150102371 | 150102371 |
| 4 | Adaptor | 161452910 | 161452920 | 161452920 | 161452920 |
| 5 | Wear ring | 168601610 | 168601610 | 168601610 | 168601610 |
| 6 | Back wear ring | 168601280 | 168601280 | 168601280 | 168601280 |
| 9** | Motor 3 ~, 2P | 50019VP00 | 50024VR00 | 50025VR00 | 50026VR00 |

Single Unit, 4P

| | | | | | | | | | |
|----|--------------|-----------|-----------|-----------|-----------|-----------|-----------|-----------|-----------|
| 1 | Pump body | 151380210 | 151380210 | 151380210 | 151380220 | 151380220 | 151380230 | 151380230 | 151380230 |
| 11 | Support foot | 161401871 | 161401871 | 161401871 | 161401871 | 161401871 | 161401971 | 161401971 | 161401971 |

| | | | | | | | | | |
|-----|-------------------|-----------|-----------|-----------|-----------|-----------|-----------|-----------|-----------|
| 3 | Seal-housing disc | 150102371 | 150102371 | 150102371 | 150102371 | 150102371 | 150102392 | 150102392 | 150102392 |
| 4 | Adaptor | 161452910 | 161452920 | 161452920 | 161452920 | 161452920 | 161452480 | 161452480 | 161452930 |
| 5 | Wear ring | 168601610 | 168601610 | 168601610 | 168601610 | 168601610 | 168601610 | 168601610 | 168601610 |
| 6 | Back wear ring | 168601280 | 168601280 | 168601280 | 168601280 | 168601280 | 168601280 | 168601280 | 168601280 |
| 9** | Motor 3 ~, 4P | 50006RT00 | 50010RT00 | 50010RT00 | 50011RT00 | 50015VT00 | 50020VJ00 | 50021VJ00 | 50027VZ00 |

* Recommended spare parts - Parti di ricambio consigliate

* Pièces détachées conseillées - Empfohlene Ersatzteile

** Motor spare parts: see motor lists - Parti di ricambio motore: vedi liste motore

** Pièces détachées Moteur : voir listes moteur - Motor-Ersatzteile: gem. Motorlisten

SHE_32-80_5_June11_EdB

xylem