

DL Series

Submersible pumps for solid-laden wastewater. Made in cast iron and stainless steel, with mechanical seal and versions with single-channel impeller and Vortex impeller.

Specifications

Delivery: up to 42 m³/h

Head: up to 22 m

Power supply: three-phase and single-phase 50 and 60 Hz

Power: 0.6 kW to 1.5 kW

Maximum immersion depth: 5 m

Temperature of pumped liquid: 0°C to +50°C (with pump totally immersed)

0°C to +25°C (with pump partially immersed)

Liquids with suspended solids: up to 45 mm (DL80-90-105 Minivortex-Vortex)

up to 50 mm (DL109-125, DLV100-115)

Protection: IP68

Length of cable: 5 m

Materials

Pump body: Cast iron

Suction flange, feet, shaft extension, motor casing, impeller: Stainless steel

Elastomers: NBR

Mechanical seal: Carbon/Ceramic/NBR

Discharge elbow: Cast iron

Applications

Pumping of sewage with suspended solids and filaments

Draining of septic tanks, sumps and wastewater discharge tanks

Emptying of drains and tanks in industrial and ecological applications

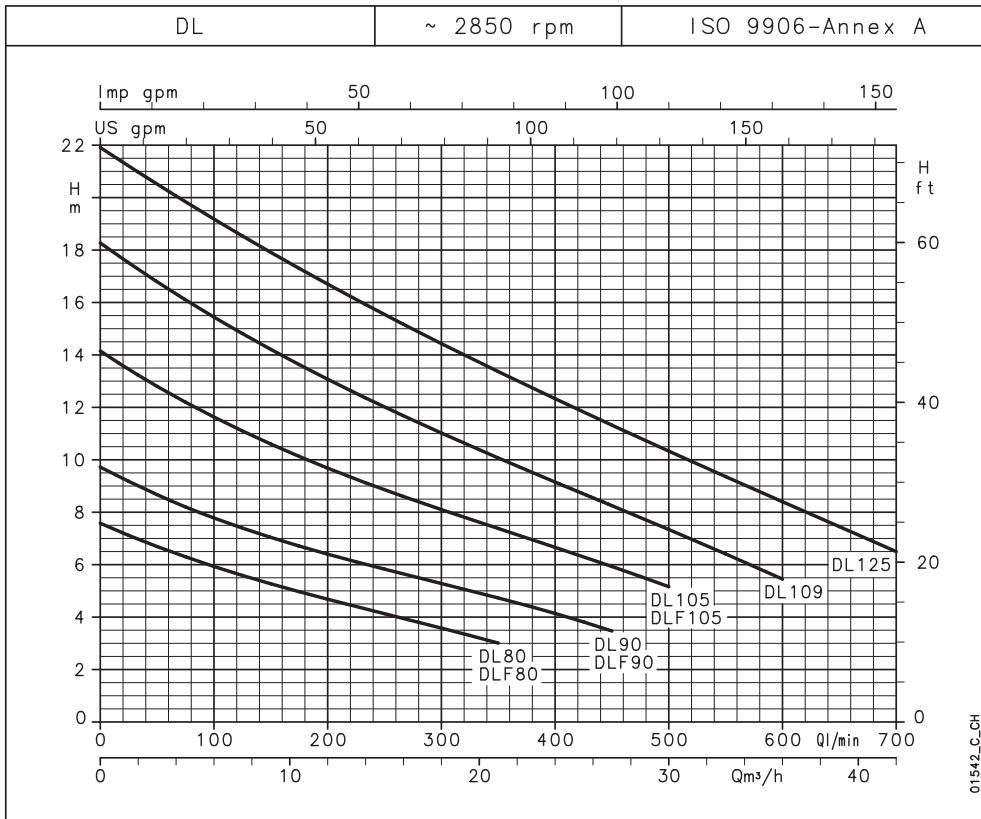
Emptying of tanks or reservoirs

Emergency draining in flooded areas



DL SERIES

Operating characteristics at 50 Hz, 2 poles



DL SERIES

Hydraulic performance table

PUMP TYPE	RATED POWER		Q = DELIVERY													
			l/min	0	100	150	200	250	300	350	400	450	500	600	700	
			m ³ /h	0	6	9	12	15	18	21	24	27	30	36	42	
	kW	HP	H = TOTAL HEAD METRES COLUMN OF WATER													
DL(M) 80-DLF(M) 80	0,6	0,8	7,6	5,9	5,3	4,7	4,1	3,6	3,0							
DL(M) 90-DLF(M) 90	0,6	0,8	9,7	7,8	7,0	6,4	5,8	5,3	4,7	4,1	3,5					
DL 105 - DLF105	1,1	1,5	14,1	11,6	10,6	9,7	8,9	8,1	7,4	6,7	5,9	5,2				
DL(M) 109	1,1	1,5	18,3	15,4	14,2	13,1	12,0	11,0	10,1	9,2	8,2	7,3	5,4			
DL 125	1,5	2	21,9	19,2	17,9	16,7	15,5	14,4	13,4	12,3	11,3	10,3	8,4	6,5		

These performances are valid for liquids with density $\rho = 1,0 \text{ kg/dm}^3$ and kinematic viscosity $\nu = 1 \text{ mm}^2/\text{s}$.

dl-2p50-en_b_th

Electrical data

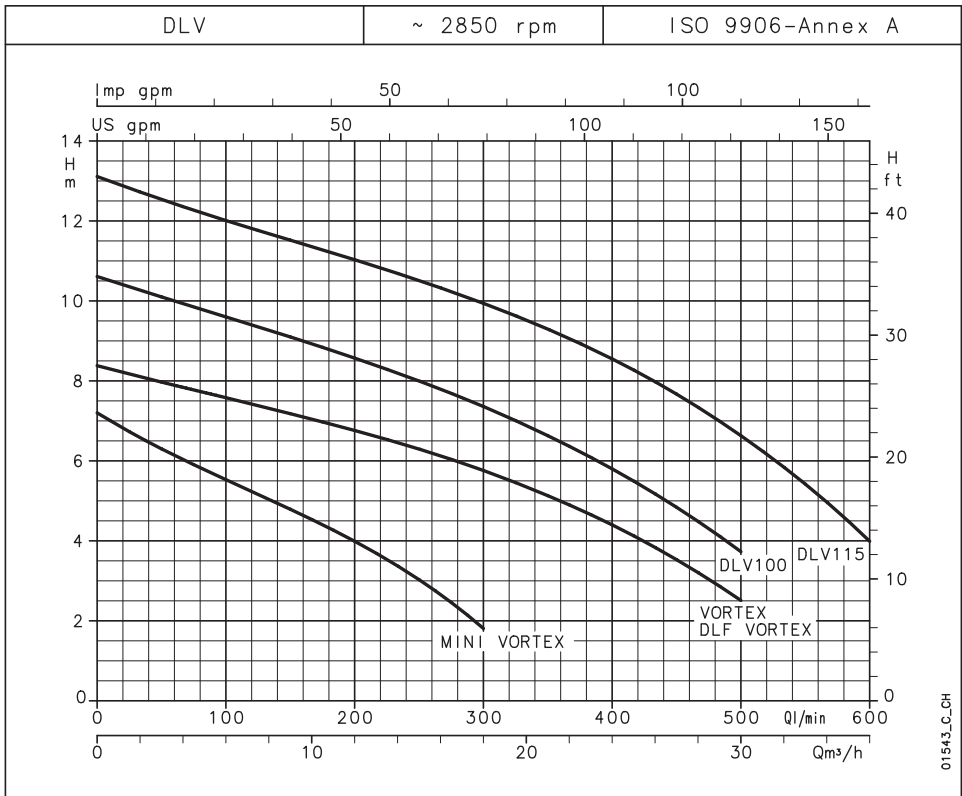
PUMP TYPE	ABSORBED POWER*	ABSORBED CURRENT*	CAPACITOR	PUMP TYPE	ABSORBED POWER*	ABSORBED CURRENT*	ABSORBED CURRENT*
SINGLE-PHASE	kW	A	$\mu\text{F} / 450 \text{ V}$		kW	A	A
DLM80-DLFM80	0,79	3,91	25	DL80-DLF80	0,8	-	2,09
DLM90-DLFM90	0,89	4,27	25	DL90-DLF90	0,92	3,81	2,2
-	-	-	-	DL105-DLF105	1,43	4,66	2,69
DLM109	1,55	6,87	35	DL109	1,54	5,44	3,14
-	-	-	-	DL125	2,14	6,58	3,8

*Maximum values within operating range.

dl-2p50-en_b_te

DLV SERIES

Operating characteristics at 50 Hz, 2 poles



DLV SERIES

Hydraulic performance table

PUMP TYPE	RATED POWER		Q = DELIVERY												
			l/min	0	50	100	150	200	250	300	350	400	450	500	600
	kW	HP	m³/h	0	3	6	9	12	15	18	21	24	27	30	36
H = TOTAL HEAD METRES COLUMN OF WATER															
MINI VORTEX(M)	0,6	0,8	7,2	6,3	5,5	4,8	4,0	3,0	1,8						
VORTEX-DLF VORTEX	1,1	1,5	8,4	8,0	7,6	7,2	6,8	6,3	5,8	5,1	4,4	3,5	2,5		
DLV(M) 100	1,1	1,5	10,6	10,1	9,6	9,1	8,6	8,0	7,4	6,6	5,8	4,8	3,7		
DLV 115	1,5	2	13,1	12,5	12,0	11,5	11,0	10,5	9,9	9,3	8,5	7,7	6,6	4,0	

These performances are valid for liquids with density $\rho = 1,0 \text{ kg/dm}^3$ and kinematic viscosity $\nu = 1 \text{ mm}^2/\text{s}$.

dlv-2p50-en_b_th

Electrical data

PUMP TYPE	ABSORBED POWER*	ABSORBED CURRENT*	CAPACITOR	PUMP TYPE	ABSORBED POWER*	ABSORBED CURRENT*	ABSORBED CURRENT*
	kW	A	$\mu\text{F} / 450 \text{ V}$		kW	A	A
MINI VORTEX M	1,05	4,82	25	MINI VORTEX	1,10	-	2,36
-	-	-	-	VORTEX-DLF VORTEX	1,66	5,11	2,95
DLVM100	1,64	7,30	35	DLV 100	1,65	5,63	3,25
-	-	-	-	DLV 115	2,25	6,81	3,93

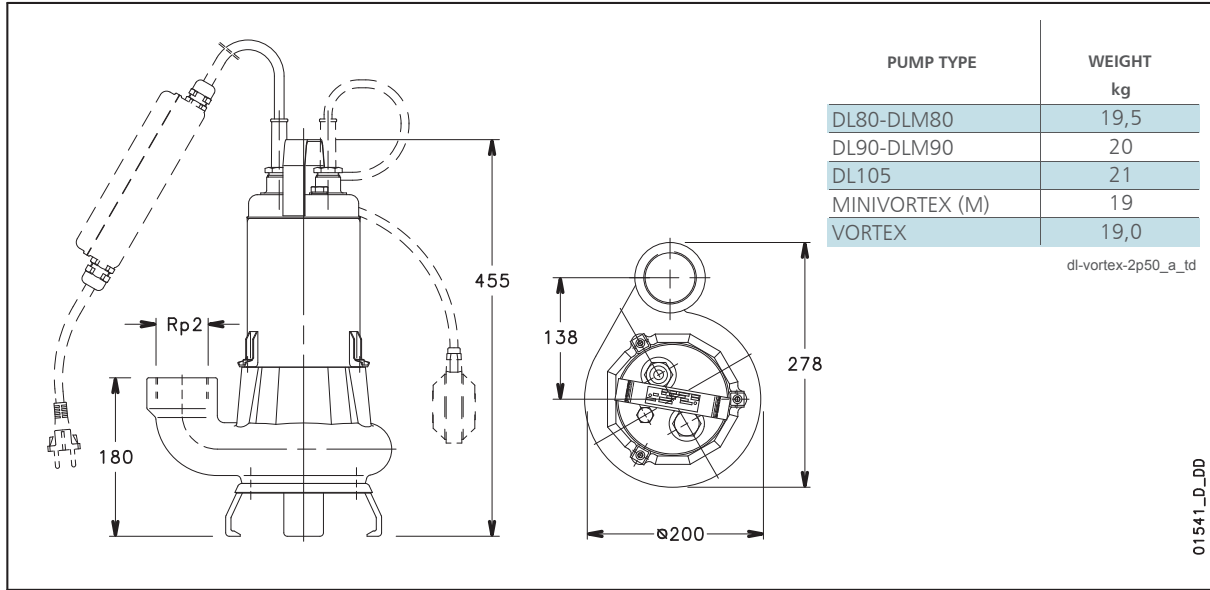
*Maximum values within operating range.

dlv-2p50-en_b_te

DL - VORTEX SERIES

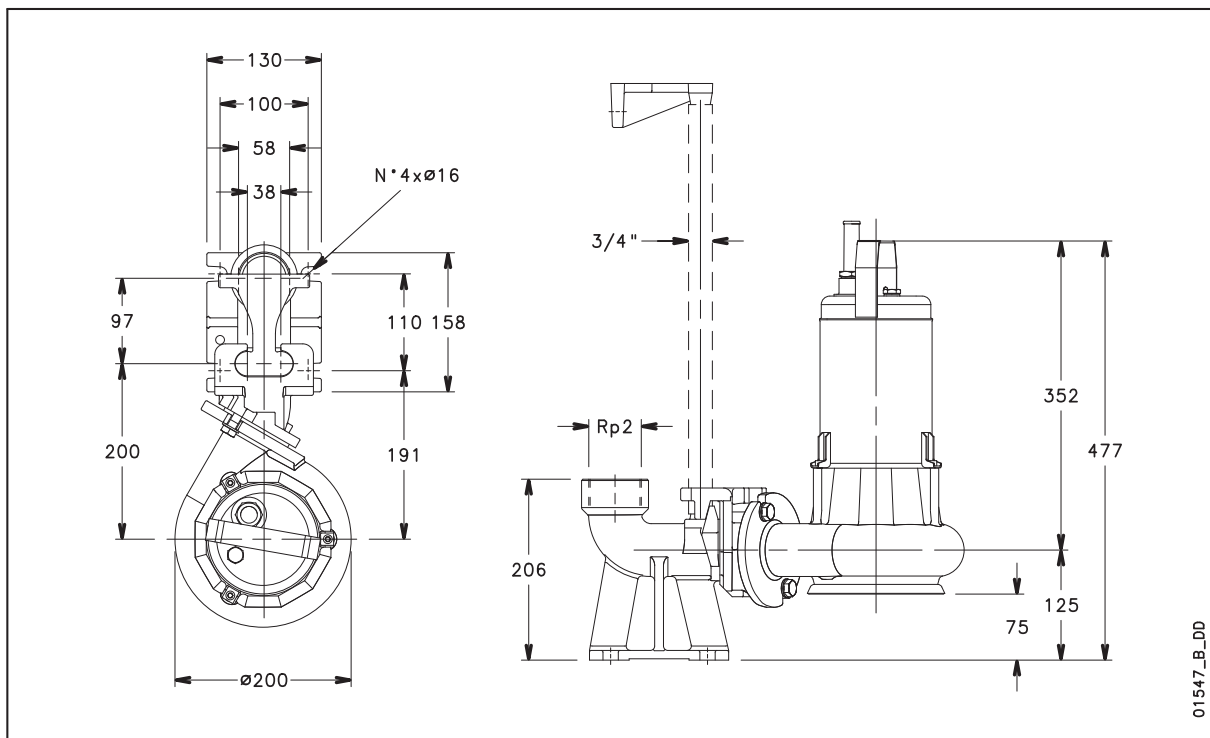
Dimensions and weights

3



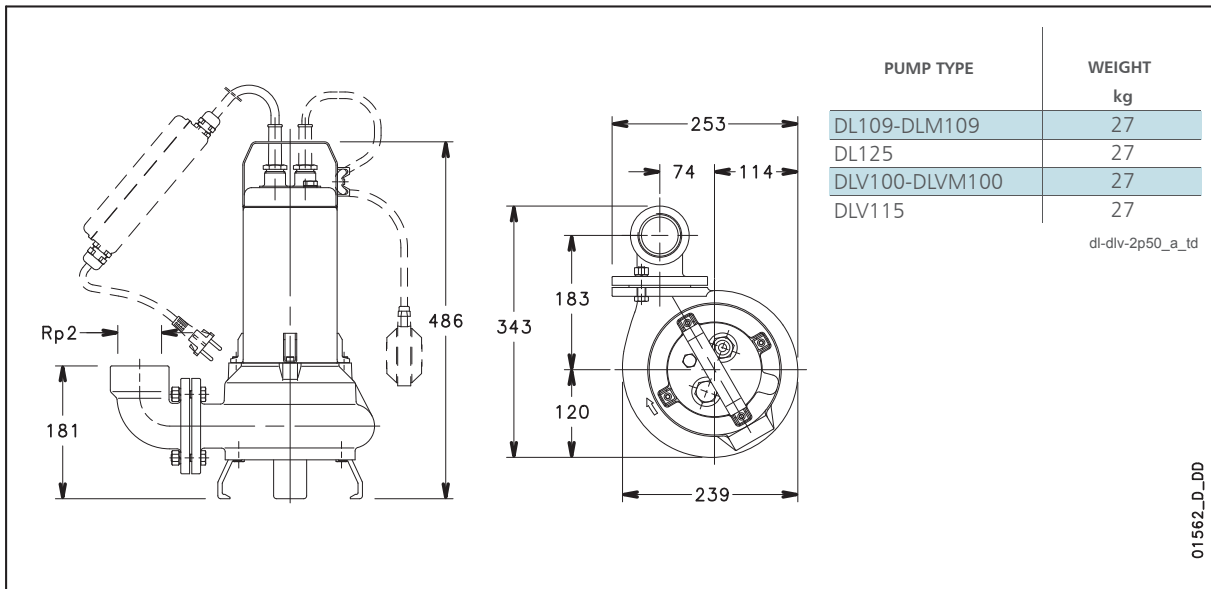
DLF SERIES

Installations examples



DL - VORTEX SERIES

Dimensions and weights



DL - VORTEX SERIES

Installations examples

